

T4WM

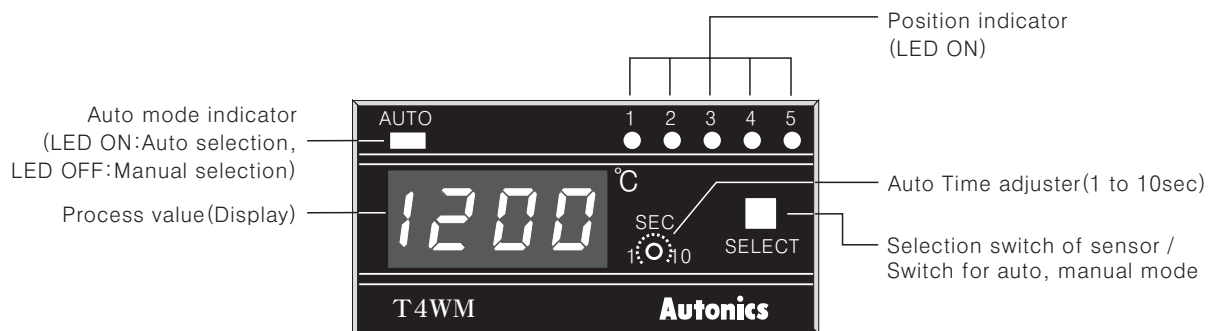
Temperature range for each sensor

Model		T4WM		
Sensor input type		Thermocouples		RTD
		J(IC)	K(CA)	Pt100Ω
°C	1600		1200°C	
	1200			
Measuring range of temperature	1000			
	800			
	600			
	400	500°C		
	200			
	100			
	0			
	-100			
				-99.9°C
				399°C

Specifications

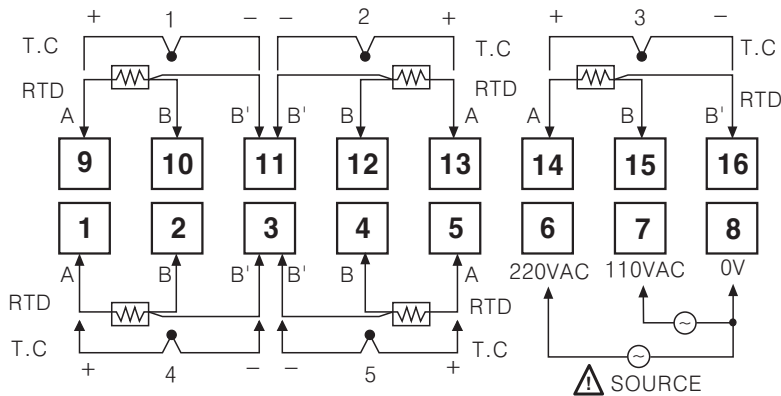
Model		T4WM
Power supply		110/220VAC 50/60Hz
Allowable voltage range		90 ~ 110% of rated voltage
Power consumption		3VA
Display method		7 Segment LED Display
Character size		W9.8×H14.2mm
Display accuracy		F · S ± 0.5% rdg ± 1digit
Input sensor		Thermocouples : K(CA), J(IC) / RTD : Pt100Ω
Input line resistance		Thermocouples : Max. 100Ω / RTD : Max. 5Ω per a wire
Available sensor quantity		Thermocouple : Max. 5pcs / RTD : Max. 5pcs
Insulation resistance		Min. 100MΩ (at 500VDC)
Dielectric strength		2000VAC 50/60Hz for 1 minute
Noise strength		± 1kV the square wave noise (pulse width: 1μs) by the noise simulator
Vibration	Mechanical	0.75mm amplitude at frequency of 10 ~ 55Hz in each of X, Y, Z directions for 1 hour
	Malfunction	0.5mm amplitude at frequency of 10 ~ 55Hz in each of X, Y, Z directions for 10 minutes
Shock	Mechanical	300m/s ² (Approx. 30G) 3 times at X, Y, Z direction
	Malfunction	100m/s ² (Approx. 10G) 3 times at X, Y, Z direction
Ambient temperature		-10 ~ +50°C (at non-freezing status)
Storage temperature		-25 ~ +65°C (at non-freezing status)
Ambient humidity		35 ~ 85%RH
Unit weight		Approx. 322g

Front panel identification



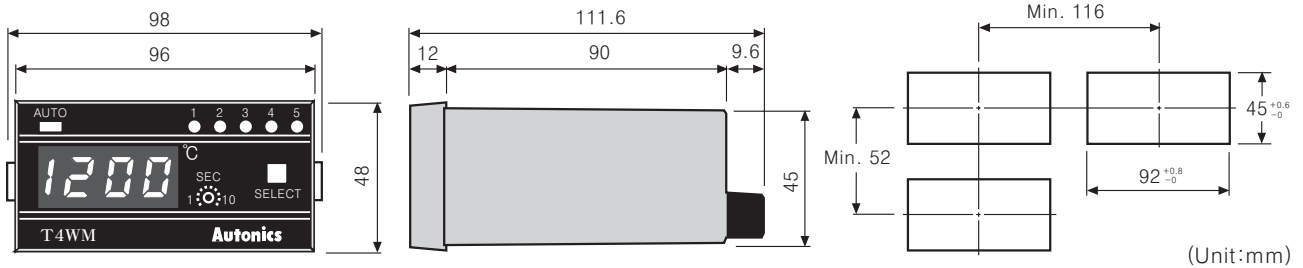
5 Point Input Type

Connections



※RTD(Resistance Temperature Detector) : Pt 100Ω(3-wire type), Thermocouple : K, J

Dimensions



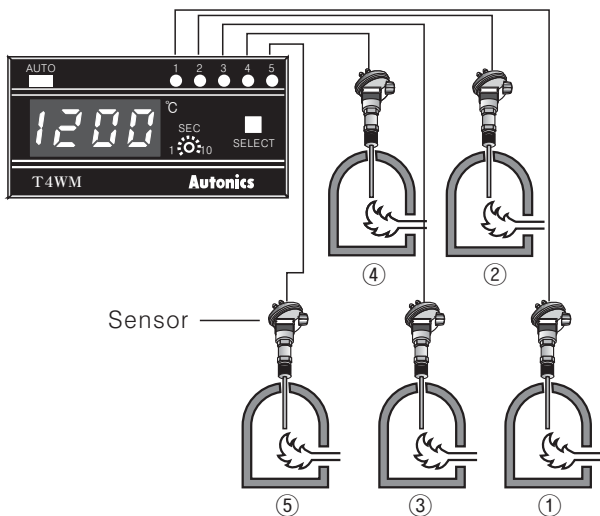
Mode selection

Manual selection and Automatic selection

Manual	Select switch	Auto
Sensor number is flashed when press it (Auto LED : OFF)		Auto lamp will be ON by pressing for 3sec. then run

Manual function

- Each time the switch is pressed, the LED of selected sensor number is flashing and display shows the temperature of that sensor.



Auto function

- Each temperature of sensor will be displayed automatically for setting time of Auto time.
- Auto time can be adjustable from 0 to 10sec.
- When it operates as Automatic function, Auto LED will be ON .

Selection of input sensor number by internal DIP switch

Max. 5 different sensors can be connected but do not use thermocouple and Pt100Ω together.

Sensor	2	3	4	5
DIP switch	ON 3 2 1 OFF	ON 3 2 1 OFF	ON 3 2 1 OFF	ON 3 2 1 OFF

Memory protection

When the power fails, the data value will be protected for 3 months.
(The battery must be charged fully.)

(A) Counter

(B) Timer

(C) Temp. controller

(D) Power controller

(E) Panel meter

(F) Tacho/Speed/Pulse meter

(G) Display unit

(H) Sensor controller

(I) Switching power supply

(J) Proximity sensor

(K) Photo electric sensor

(L) Pressure sensor

(M) Rotary encoder

(N) Stepping motor & Driver & Controller

(O) Graphic panel

(P) Production stoppage models & replacement