

Sensor Connector Terminal Block



AFE Series CATALOG

For your safety, read and follow the considerations written in the instruction manual, other manuals and Autonics website.

The specifications, dimensions, etc. are subject to change without notice for product improvement. Some models may be discontinued without notice.

Features

- Quicker and easier wiring with sensor connectors
- Wire stripping and other tools not required
- Compact and space-saving design
- Available to check operation status and cable connection easily with LED light
- DIN rail mount and screw mount methods
- Selectable between NPN and PNP input with NPN/PNP selection switch

Product Components

- Product
- Instruction manual

Specifications

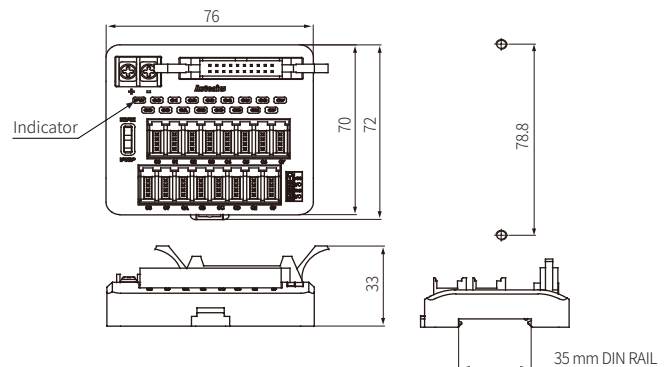
	AFE4-H20-16LF	AFE4-H40-32LF
The number of connector pin	20	40
The number of sensor connector	16	32
Connector for controller side	20-pin Hirose (HIF3BA-20PA-2.54DSA)	40-pin Hirose (HIF3BA-40PA-2.54DSA)
Indicator	Power indicator: red, operation and disconnection indicator: blue	
Material	CASE, BASE: PC	
Approval	CE, RoHS, EAC	
Unit weight (Packaged)	≈ 69 g (≈ 121 g)	≈ 119 g (≈ 203 g)
Voltage	12-24 VDC ± 10%	
Current	≤ 1 A ⁰¹⁾	
Insulation resistance	≥ 1,000 MΩ (500 VDC ≡ megger)	
Input logic	NPN/PNP switch	
Dielectric strength	600 VAC~ 50/60 Hz for 1 minute	
Vibration	0.75 mm amplitude at frequency of 10 to 55 Hz (for 1 minute) in each X, Y, Z direction for 1 hour	
Vibration (malfunction)	0.75 mm amplitude at frequency of 10 to 55 Hz (for 1 minute) in each X, Y, Z direction for 10 minutes	
Shock	150 m/s ² (≈ 15 G) in each X, Y, Z direction for 3 times	
Shock (malfunction)	100 m/s ² (≈ 10 G) in each X, Y, Z direction for 3 times	
Ambient temperature	-15 to 55 °C, storage: -25 to 65 °C (no freezing or condensation)	
Ambient humidity	35 to 85 %RH, storage: 35 to 85 %RH (no freezing or condensation)	
Tightening torque	0.7 to 0.8 N·m	

01) It includes LED current of terminal block.

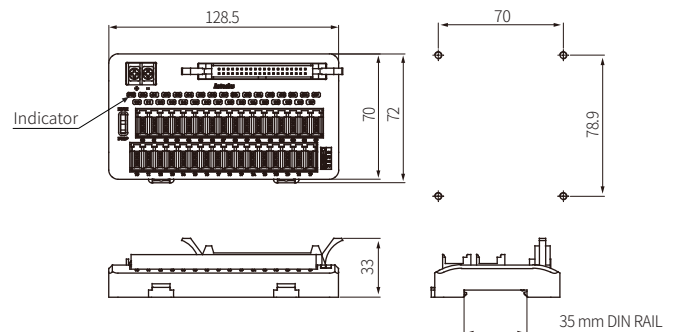
Dimensions

- Unit: mm, For the detailed dimensions of the product, follow the Autonics web site.

■ AFE4-H20-16LF



■ AFE4-H40-32LF



Sold Separately

- Sensor connector wire mount plug (CNE-P04-□)
- I/O cable