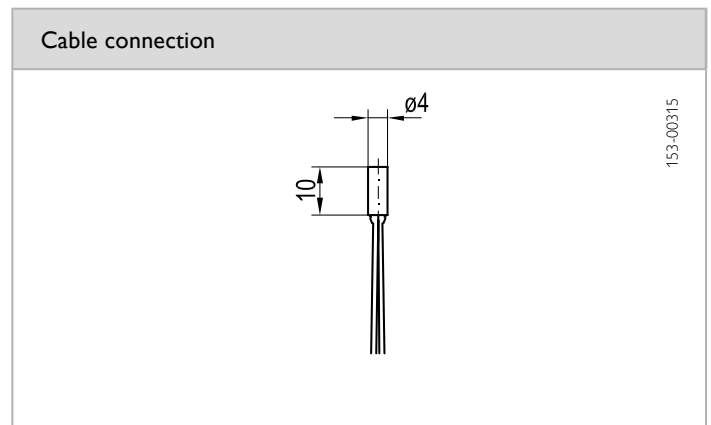
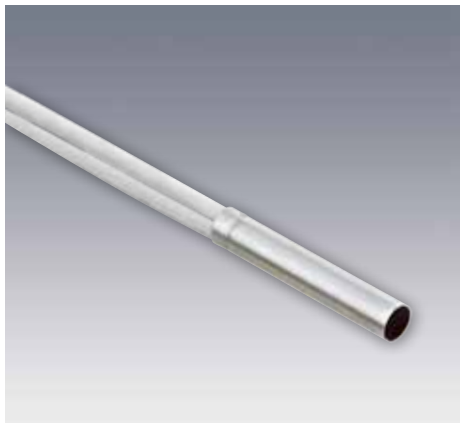


Inductive sensor, NAMUR design

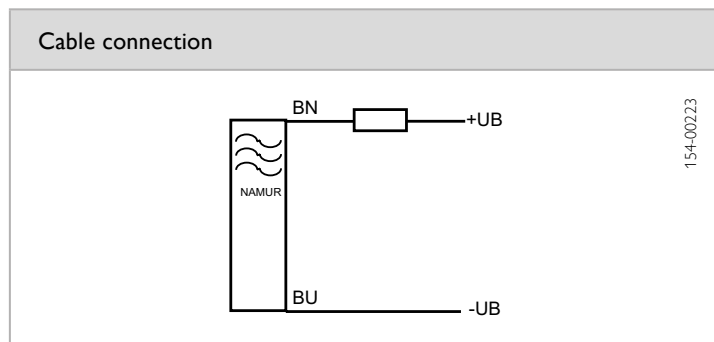


Sensor data	
Switching distance	0.8 mm
Repeatability	0.01 mm <sup>1</sup>
Reduction factor; Al	0.50
Reduction factor; Cu	0.45
Reduction factor; V2A	0.80
Reduction factor; steel FE 360	1.00
Reduction factor; brass	0.55

Electrical data		Mechanical data	
Operating voltage, +U <sub>B</sub> (NAMUR* conditions)	7.7 ... 9 V DC <sup>2</sup>	Dimensions	Ø 4 x 10 mm
Operating voltage, +U <sub>B</sub> (not NAMUR*)	5 ... 30 V DC <sup>2</sup>	Mounting	Flush
Operating resistance, NAMUR	1 kΩ	Enclosure rating	IP 67 <sup>3</sup>
Recommended operating resistance	1 kΩ (5 ... 10 V) / 2.2 kΩ (10 ... 20 V) / 4.7 kΩ (20 ... 30 V)	Material, housing	Stainless steel, V2A
Output current, I <sub>e</sub> (dampened / undampened)	≤ 1 mA / ≥ 2.2 mA	Material, front surface	PA 66
Protective circuits	Short-circuit protection (Q)	Type of connection	See Selection Table
Switching frequency, f (ti/tp 1:1)	≤ 10000 Hz	Ambient temperature: operation	-25 ... 70 °C
		Vibration and impact resistance	IEC 60947-5-2 / 7.4

<sup>1</sup> U<sub>B</sub> = 7.7 ... 9 V DC, T<sub>A</sub> = 23 °C ± 5 °C    <sup>2</sup> Max. 20 % ripple, within U<sub>B</sub>    <sup>3</sup> With connected IP 67 plug

\* Standardization Association for Measurement and Control in the Chemical and Pharmaceutical Industries



Switching distance	Switching output	Type of connection	Part number	Article number
0.8 mm	NAMUR*	Cable, 2 m, 2-wire	ISN 44-20	996-09444