
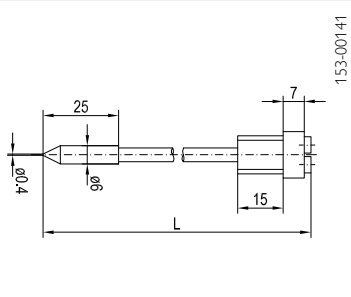

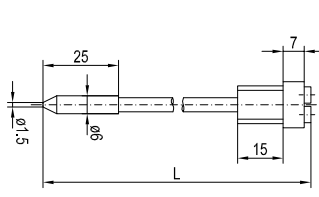

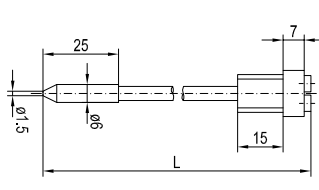

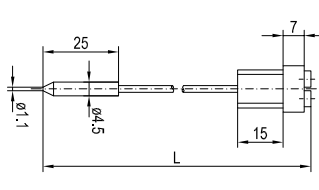


Fibre-optic cables – standard


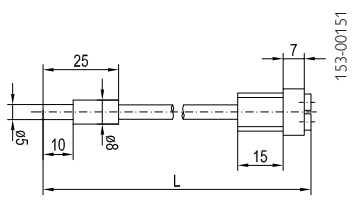

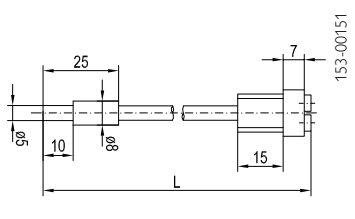

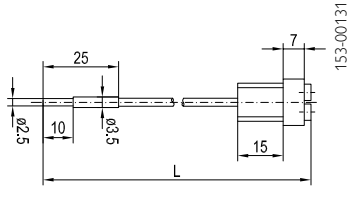
| 18/30 R 0,4/...-Si fibre-optic cable | | | | | Highlights | | | | |
|--|--|---|-------------------------------|-----------------|--|------------------------|------------------------|--------------------------|------------|
|  | |  | | | <ul style="list-style-type: none"> • Photoelectric proximity sensor • Silicone sheath • Small axial light exit • Robust design • -20 ... 160 °C • Fixing via mounting block MB 6 (Article number 903-05139) • For FMS devices | | | | |
| Fibre arrangement | FMS 18 typ. scanning distance/range (mm) | FMS 30 typ. scanning distance/range (mm) | Core fibre Ø (mm) material | Sheath material | Ambient temperature (rigid installation) | Bending radius (mm) | Cable length (m) | Collar bushing Ø (mm) | LS (mm) |
| Axial | 1 | 3 | 1 x 0,4 Glass | Silicone (Si) | -20 ... 160 °C | 15 | See Selection Table | 6 | - |

| Length (m) | Part number | Article number |
|------------|---------------------|----------------|
| 0.25 | 18/30 R 0,4/250-Si | 979-50551 |
| 0.5 | 18/30 R 0,4/500-Si | 979-50552 |
| 1 | 18/30 R 0,4/1000-Si | 979-50544 |
| 2 | 18/30 R 0,4/2000-Si | 979-50553 |


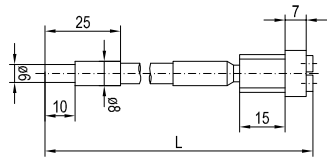

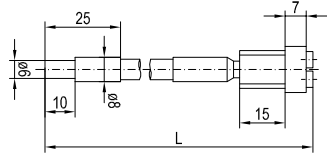

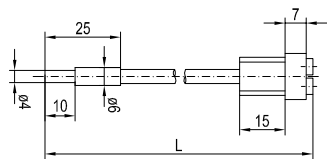
| 18/30 R 1/...-Si fibre-optic cable | | Highlights | | | | | | | | |
|--|--|---|--|---------------------|--|-----------------------------|---------------------|-----------------------------|---|--|
|  |  | <ul style="list-style-type: none"> • Photoelectric proximity sensor • Silicone, metal or PVC sheath • Small axial light exit • Robust design • -20 ... +80°C / +160 °C • Fixing via mounting block MB 6 (MSC/Si) (Article number 903-05139) • Fixing via mounting block MB 4.5 (PVC) (Article number 903-50314) • For FMS devices | | | | | | | | |
| 18/30 R 1/...-MSC fibre-optic cable | | | | | | | | | | |
|  |  | | | | | | | | | |
| 18/30 R 1/...-PVC fibre-optic cable | | | | | | | | | | |
|  |  | | | | | | | | | |
| Fibre arrangement Light exit | FMS 18 typ. scanning distance/range (mm) | | | | | | | | | |
| Axial | 5 | 15 | 1 x 0.8 (Si/MSC) 1 x 1.0 (PVC) Glass | See Selection Table | -20 ... +160 °C (Si/MSC) -20 ... +80 °C (PVC) | 15 = (Si/MSC) 10 = (PVC) | See Selection Table | 6 = (Si/MSC) 4.5 = (PVC) | - | |

| Length (m) | Sheath material | Part number | Article number |
|------------|----------------------------|--------------------|----------------|
| 0.25 | Silicone (Si) | 18/30 R 1/250-Si | 979-08081 |
| 0.5 | Silicone (Si) | 18/30 R 1/500-Si | 979-08082 |
| 0.75 | Silicone (Si) | 18/30 R 1/750-Si | 979-08407 |
| 1 | Silicone (Si) | 18/30 R 1/1000-Si | 979-08083 |
| 1.5 | Silicone (Si) | 18/30 R 1/1500-Si | 979-08408 |
| 2 | Silicone (Si) | 18/30 R 1/2000-Si | 979-08084 |
| 0.25 | Brass, chrome-plated (MSC) | 18/30 R 1/250-MSC | 979-08057 |
| 0.5 | Brass, chrome-plated (MSC) | 18/30 R 1/500-MSC | 979-08058 |
| 0.75 | Brass, chrome-plated (MSC) | 18/30 R 1/750-MSC | 979-08387 |
| 1 | Brass, chrome-plated (MSC) | 18/30 R 1/1000-MSC | 979-08059 |
| 1.5 | Brass, chrome-plated (MSC) | 18/30 R 1/1500-MSC | 979-08388 |
| 2 | Brass, chrome-plated (MSC) | 18/30 R 1/2000-MSC | 979-08060 |
| 0.25 | PVC | 18/30 R 1/250 PVC | 979-08044 |
| 0.5 | PVC | 18/30 R 1/500 PVC | 979-08045 |
| 0.75 | PVC | 18/30 R 1/750-PVC | 979-08381 |
| 1 | PVC | 18/30 R 1/1000 PVC | 979-08046 |
| 1.5 | PVC | 18/30 R 1/1500 PVC | 979-08382 |
| 2 | PVC | 18/30 R 1/2000 PVC | 979-08047 |

Fibre-optic cables – standard


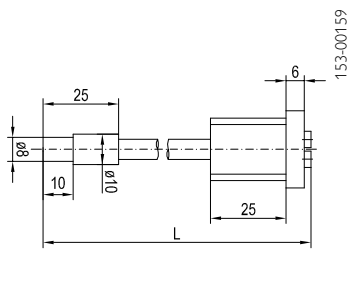

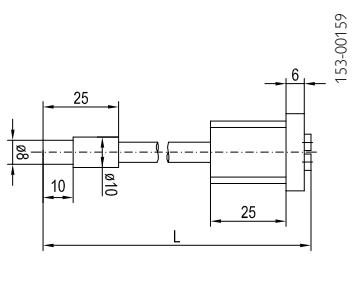
| 18/30 R 2/...-Si fibre-optic cable | | | | Highlights | | | | | | |
|---|--|--|--|--|--|-----------------------------|---------------------|-----------------------------|---------|--|
|  | |  | | <ul style="list-style-type: none"> • Photoelectric proximity sensor • Silicone, metal or PVC sheath • Axial light exit • Robust design • -20 ... +80 °C / +160 °C • Fixing via mounting block MB 8 (MSC/Si) (Article number 903-05141) • Fixing via mounting block MB 3.5 (PVC) (Article number 903-50313) • For FMS devices | | | | | | |
| 18/30 R 2/...-MSC fibre-optic cable | | | | | | | | | | |
|  | |  | | | | | | | | |
| 18/30 R 2/...-PVC fibre-optic cable | | | | | | | | | | |
|  | |  | | | | | | | | |
| Fibre arrangement | FMS 18 typ. scanning distance/range (mm) | FMS 30 typ. scanning distance/range (mm) | Core fibre Ø (mm) material | Sheath material | Ambient temperature (rigid installation) | Bending radius (mm) | Cable length (m) | Collar bushing Ø (mm) | LS (mm) | |
| Axial | 50 | 60 | 1 x 1.6 (Si/MSC) 1 x 1.5 (PVC) Glass | See Selection Table | -20 ... +160 °C (Si/MSC) -20 ... +80 °C (PVC) | 20 = (Si/MSC) 15 = (PVC) | See Selection Table | 8 = (Si/MSC) 3.5 = (PVC) | - | |

| Length (m) | Sheath material | Part number | Article number |
|------------|----------------------------|--------------------|----------------|
| 0.25 | Silicone (Si) | 18/30 R 2/250-Si | 979-08089 |
| 0.5 | Silicone (Si) | 18/30 R 2/500-Si | 979-08090 |
| 0.75 | Silicone (Si) | 18/30 R 2/750-Si | 979-08411 |
| 1 | Silicone (Si) | 18/30 R 2/1000-Si | 979-08091 |
| 1.5 | Silicone (Si) | 18/30 R 2/1500-Si | 979-08412 |
| 2 | Silicone (Si) | 18/30 R 2/2000-Si | 979-08092 |
| 0.25 | Brass, chrome-plated (MSC) | 18/30 R 2/250-MSC | 979-08061 |
| 0.5 | Brass, chrome-plated (MSC) | 18/30 R 2/500-MSC | 979-08062 |
| 0.75 | Brass, chrome-plated (MSC) | 18/30 R 2/750-MSC | 979-08389 |
| 1 | Brass, chrome-plated (MSC) | 18/30 R 2/1000-MSC | 979-08063 |
| 1.5 | Brass, chrome-plated (MSC) | 18/30 R 2/1500-MSC | 979-08390 |
| 2 | Brass, chrome-plated (MSC) | 18/30 R 2/2000-MSC | 979-08064 |
| 0.25 | PVC | 18/30 R 2/250 PVC | 979-08048 |
| 0.5 | PVC | 18/30 R 2/500 PVC | 979-08049 |
| 0.75 | PVC | 18/30 R 2/750 PVC | 979-08383 |
| 1 | PVC | 18/30 R 2/1000 PVC | 979-08050 |
| 1.5 | PVC | 18/30 R 2/1500 PVC | 979-08384 |
| 2 | PVC | 18/30 R 2/2000 PVC | 979-08051 |


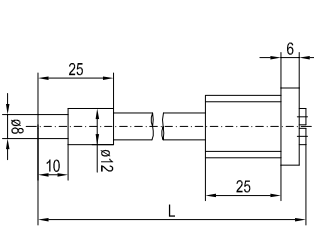

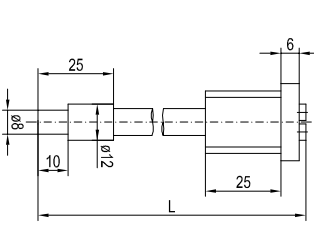
| 18/30 R 3/...-Si fibre-optic cable | | Highlights | | | | | | | | |
|--|--|--|--|------------------------|--|-----------------------------|------------------------|---------------------------|------------|--|
|  |  | <ul style="list-style-type: none"> • Photoelectric proximity sensor • Silicone, metal or PVC sheath • Axial light exit • Robust design • -20 ... +80 °C / +160 °C • Fixing via mounting block MB 8 (MSC/Si) (Article number 903-05141) • Fixing via mounting block MB 6 (PVC) (Article number 903-05139) • For FMS devices | | | | | | | | |
| 18/30 R 3/...-MSC fibre-optic cable | | | | | | | | | | |
|  |  | | | | | | | | | |
| 18/30 R 3/...-PVC fibre-optic cable | | <ul style="list-style-type: none"> • Photoelectric proximity sensor • Silicone, metal or PVC sheath • Axial light exit • Robust design • -20 ... +80 °C / +160 °C • Fixing via mounting block MB 8 (MSC/Si) (Article number 903-05141) • Fixing via mounting block MB 6 (PVC) (Article number 903-05139) • For FMS devices | | | | | | | | |
|  |  | | | | | | | | | |
| | | | | | | | | | | |
| Fibre arrangement Light exit | FMS 18 typ. scanning distance/range (mm) | FMS 30 typ. scanning distance/range (mm) | Core fibre Ø (mm) material | Sheath material | Ambient temperature (rigid installation) | Bending radius (mm) | Cable length (m) | Collar bushing Ø (mm) | LS (mm) | |
| Axial | 160 | 200 | 2 x 2.0 (Si/MSC) 1 x 2.8 (PVC) Glass | See Selection Table | -20 ... +160 °C (Si/MSC) -20 ... +80 °C (PVC) | 25 = (Si/MSC) 30 = (PVC) | See Selection Table | 8 = (Si/MSC) 6 = (PVC) | - | |

| Length (m) | Sheath material | Part number | Article number |
|------------|----------------------------|--------------------|----------------|
| 0.25 | Silicone (Si) | 18/30 R 3/250-Si | 979-08093 |
| 0.5 | Silicone (Si) | 18/30 R 3/500-Si | 979-08094 |
| 0.75 | Silicone (Si) | 18/30 R 3/750-Si | 979-08413 |
| 1 | Silicone (Si) | 18/30 R 3/1000-Si | 979-08095 |
| 1.5 | Silicone (Si) | 18/30 R 3/1500-Si | 979-08414 |
| 2 | Silicone (Si) | 18/30 R 3/2000-Si | 979-08096 |
| 0.25 | Brass, chrome-plated (MSC) | 18/30 R 3/250-MSC | 979-08065 |
| 0.5 | Brass, chrome-plated (MSC) | 18/30 R 3/500-MSC | 979-08066 |
| 0.75 | Brass, chrome-plated (MSC) | 18/30 R 3/750-MSC | 979-08391 |
| 1 | Brass, chrome-plated (MSC) | 18/30 R 3/1000-MSC | 979-08067 |
| 1.5 | Brass, chrome-plated (MSC) | 18/30 R 3/1500-MSC | 979-08392 |
| 2 | Brass, chrome-plated (MSC) | 18/30 R 3/2000-MSC | 979-08068 |
| 0.25 | PVC | 18/30 R 3/250 PVC | 979-08052 |
| 0.5 | PVC | 18/30 R 3/500 PVC | 979-08053 |
| 0.75 | PVC | 18/30 R 3/750 PVC | 979-08385 |
| 1 | PVC | 18/30 R 3/1000 PVC | 979-08054 |
| 1.5 | PVC | 18/30 R 3/1500 PVC | 979-08386 |
| 2 | PVC | 18/30 R 3/2000 PVC | 979-08055 |

Fibre-optic cables – standard


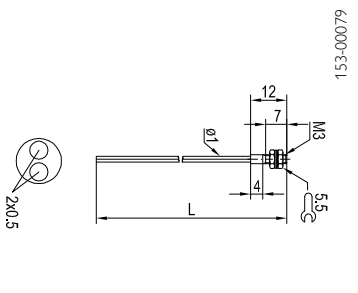
| 30 R 4/...-Si fibre-optic cable | | | | | Highlights | | | | |
|--|--|---|-------------------------------|------------------------|--|------------------------|------------------------|--------------------------|------------|
|  | |  | | | <ul style="list-style-type: none"> • Photoelectric proximity sensor • Silicone, metal or PVC sheath • Axial light exit • Long scanning distance/range • Robust design • -20 ... +160 °C • Fixing via mounting block MB 10 (Article number 903-05142) • For FMS devices | | | | |
| 30 R 4/...-MSC fibre-optic cable | | | | | | | | | |
|  | |  | | | | | | | |
| Fibre arrangement | FMS 18 typ. scanning distance/range (mm) | FMS 30 typ. scanning distance/range (mm) | Core fibre Ø (mm) material | Sheath material | Ambient temperature (rigid installation) | Bending radius (mm) | Cable length (m) | Collar bushing Ø (mm) | LS (mm) |
| Axial | – | 400 | 2 x 2.3 Glass | See Selection Table | -20 ... +160 °C | 25 | See Selection Table | 10 | – |

| Length (m) | Sheath material | Part number | Article number |
|------------|----------------------------|-----------------|----------------|
| 0.25 | Silicone (Si) | 30 R 4/250-Si | 979-06924 |
| 0.5 | Silicone (Si) | 30 R 4/500-Si | 979-06925 |
| 0.75 | Silicone (Si) | 30 R 4/750-Si | 979-08415 |
| 1 | Silicone (Si) | 30 R 4/1000-Si | 979-06926 |
| 1.5 | Silicone (Si) | 30 R 4/1500-Si | 979-08416 |
| 2 | Silicone (Si) | 30 R 4/2000-Si | 979-06927 |
| 0.25 | Brass. chrome-plated (MSC) | 30 R 4/250-MSC | 979-06654 |
| 0.5 | Brass. chrome-plated (MSC) | 30 R 4/500-MSC | 979-06655 |
| 0.75 | Brass. chrome-plated (MSC) | 30 R 4/750-MSC | 979-08393 |
| 1 | Brass. chrome-plated (MSC) | 30 R 4/1000-MSC | 979-06656 |
| 1.5 | Brass. chrome-plated (MSC) | 30 R 4/1500-MSC | 979-08394 |
| 2 | Brass. chrome-plated (MSC) | 30 R 4/2000-MSC | 979-06657 |


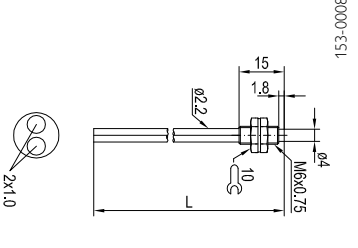
| 30 R 12/...-Si fibre-optic cable | | | | Highlights | | | | | | |
|---|--|---|-------------------------------|--|---|------------------------|------------------------|--------------------------|------------|--|
|  | |  | | <ul style="list-style-type: none"> • Photoelectric proximity sensor • Silicone, metal or PVC sheath • Axial light exit • Extremely insensitive to contamination • Long scanning distance/range • Robust design • -20 ... +160 °C • Fixing via mounting block MB 10 (Article number 903-05142) • For FMS devices | | | | | | |
| 30 R 12/...-MSC fibre-optic cable | | | | | | | | | | |
|  | |  | | | | | | | | |
| Fibre arrangement | FMS 18 typ. scanning distance/range (mm) | FMS 30 typ. scanning distance/range (mm) | Core fibre Ø (mm) material | Sheath material | Ambient temperature (rigid installation) | Bending radius (mm) | Cable length (m) | Collar bushing Ø (mm) | LS (mm) | |
| Axial | – | 800 | 2 x 3.5 Glass | See Selection Table | -20 ... +160 °C | 45 | See Selection Table | 12 | – | |

| Length (m) | Sheath material | Part number | Article number |
|------------|-------------------------------------|------------------|----------------|
| 0.25 | Silicone (Si) | 30 R 12/250-Si | 979-06940 |
| 0.5 | Silicone (Si) | 30 R 12/500-Si | 979-06941 |
| 0.75 | Silicone (Si) | 30 R 12/750-Si | 979-08417 |
| 1 | Silicone (Si) | 30 R 12/1000-Si | 979-06942 |
| 1.5 | Silicone (Si) | 30 R 12/1500-Si | 979-08418 |
| 2 | Silicone (Si) | 30 R 12/2000-Si | 979-06943 |
| 0.25 | Stainless steel (V2A chrome plated) | 30 R 12/250-MSC | 979-06646 |
| 0.5 | Stainless steel (V2A chrome plated) | 30 R 12/500-MSC | 979-06647 |
| 0.75 | Stainless steel (V2A chrome plated) | 30 R 12/750-MSC | 979-08395 |
| 1 | Stainless steel (V2A chrome plated) | 30 R 12/1000-MSC | 979-06648 |
| 1.5 | Stainless steel (V2A chrome plated) | 30 R 12/1500-MSC | 979-08396 |
| 2 | Stainless steel (V2A chrome plated) | 30 R 12/2000-MSC | 979-06643 |

Fibre-optic cables – standard

| K1R-101 fibre-optic cable | | | | | Highlights | | | | | | |
|--|------------|---|-------------------|-----------------------------|--|-------------------|--|---------------------------|--------------|--------------------|---------|
|  | |  | | | <ul style="list-style-type: none"> • Photoelectric proximity sensor • Small installation dimensions • Fibre length individually cuttable • For FL 70 devices | | | | | | |
| Design | Light exit | FL 70 typ. scanning distance (mm) | Fibre arrangement | Suitable for ancillary lens | Core fibre Ø (mm) | Sheath material | Ambient temperature (rigid installation) | Fibre bending radius (mm) | Cable length | Collar bushing | LS (mm) |
| Mono/axial | | 60 / 25 / 95 | See drawing | LVL6-M3 | 2 x 0.5 (T/R) PMMA | Polyethylene (PE) | -40 ... +70 °C | 25 | 2 m Cutable | M3 Stainless steel | – |

| Part number | Article number |
|-------------|----------------|
| K1R-101 | 720-50766 |


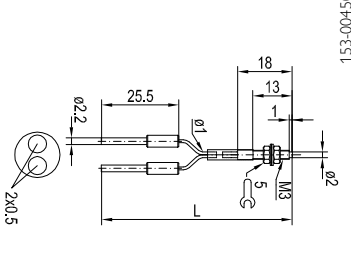
| K2R-102 fibre-optic cable | | | | | Highlights | | | | | | | |
|--|------------|---|-----------------------------------|-------------------|--|--------------------|-------------------|--|---------------------------|--------------|-------------------------|---------|
|  | |  | | | <ul style="list-style-type: none"> • Photoelectric proximity sensor • Short mounting sleeve • Fibre length individually cuttable • For FL 70/FL 20 devices | | | | | | | |
| Design | Light exit | FL 70 typ. scanning distance (mm) | FL 20 typ. scanning distance (mm) | Fibre arrangement | Suitable for ancillary lens | Core fibre Ø (mm) | Sheath material | Ambient temperature (rigid installation) | Fibre bending radius (mm) | Cable length | Collar bushing | LS (mm) |
| Mono/axial | | 150 / 85 / 295 | 80 | See drawing | – | 2 x 1.0 (T/R) PMMA | Polyethylene (PE) | -40 ... +70 °C | 25 | 2 m Cutable | M6x0.75 Stainless steel | – |

| Part number | Article number |
|-------------|----------------|
| K2R-102 | 720-50767 |


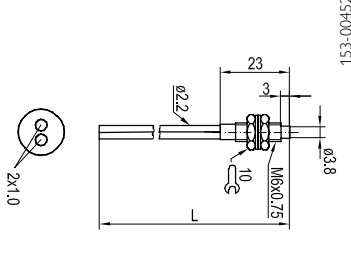
| K2R-6 fibre-optic cable | | | | | | Highlights | | | | | |
|-------------------------|---|--|------------------------|--------------------------------|---|---|---|---------------------------------|-----------------|-------------------------------|---------|
| | | | | | | <ul style="list-style-type: none"> • Photoelectric proximity sensor • Fibre length individually cuttable • For FL 70/FL 20 devices | | | | | |
| Design | FL 70 typ. scanning distance (mm) Standard / Fine / High | FL 20 typ. scanning distance (mm) Default setting | Fibre arrange- ment | Suitable for ancillary lens | Core fibre Ø (mm) (T = Transmitter; R = Receiver) Material | Sheath material | Ambient temperature (rigid installation) | Fibre bending radius (mm) | Cable length | Collar bushing | LS (mm) |
| Mono/axial | 100 / 55 / 265 | 50 | See drawing | – | 2 x 1.0 (T/R) PMMA | Polyethylene (PE) | -40 ... +70 °C | 25 | 2 m Cutable | M6x0.75 Stainless steel | – |

| Part number | Article number |
|-------------|----------------|
| K2R-6 | 841-21000 |

Fibre-optic cables – standard

| LLK1RM3-PE-1m fibre-optic cable | | | | | Highlights | | | | | | |
|--|---|---|----------------|--|---|--|------------------------|-----------------|--------------------------|---------|--|
|  | |  | | | <ul style="list-style-type: none"> • Photoelectric proximity sensor • Very small head diameter • Stainless steel head • Fibre length individually cuttable • For FL 70 devices | | | | | | |
| Design | FL 70 | Fibre | Suitable for | Core fibre Ø (mm) | Sheath material | Ambient | Fibre | Cable | Collar | LS (mm) | |
| Light exit | typ. scanning distance (mm) Standard / Fine / High | arrangement | ancillary lens | (T = Transmitter; R = Receiver) Material | | temperature (rigid installation) | bending radius (mm) | length | bushing | | |
| Mono/axial | 50 / 20 / 55 | See drawing | LVL6-M3 | 2 x 0.5 (T/R) PMMA | Polyethylene (PE) | -40 ... +60 °C | 15 | 1 m Cuttable | M3 Stainless steel | - | |

| Part number | Article number |
|---------------|----------------|
| LLK1RM3-PE-1m | 750-21000 |


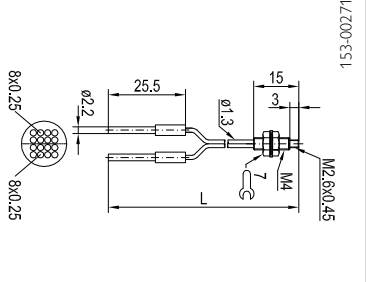
| LLK2RM6-PE-1m fibre-optic cable | | | | | Highlights | | | | | | |
|--|---|---|----------------|----------------|--|----------------------|--|------------------------|-----------------|-------------------------------|---------|
|  | |  | | | <ul style="list-style-type: none"> • Photoelectric proximity sensor • Robust design • Stainless steel head • Fibre length individually cuttable • For FL 70/FL 20 devices | | | | | | |
| Design | FL 70 | FL 20 | Fibre | Suitable for | Core fibre Ø (mm) | Sheath material | Ambient | Fibre | Cable | Collar | LS (mm) |
| Light exit | typ. scanning distance (mm) Standard / Fine / High | typ. scanning distance (mm) Default setting | arrangement | ancillary lens | (T = Transmitter; R = Receiver) Material | | temperature (rigid installation) | bending radius (mm) | length | bushing | |
| Mono/axial | 150 / 90 / 280 | 80 | See drawing | - | 2 x 1.0 (T/R) PMMA | Polyethylene (PE) | -40 ... +60 °C | 25 | 1 m Cuttable | M6x0.75 Stainless steel | - |

| Part number | Article number |
|---------------|----------------|
| LLK2RM6-PE-1m | 750-21001 |

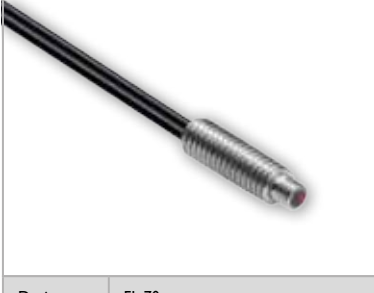
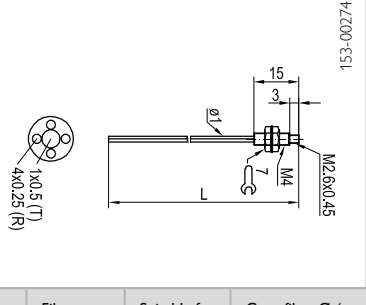
| 33 R 1/...-Si fibre-optic cable | | | | | | Highlights | | | | | |
|----------------------------------|--|---|-------------------|-----------------------------|--|--|--|---------------------------|---------------------|------------------------------|---------|
| | | | | | | <ul style="list-style-type: none"> • Photoelectric proximity sensor • Silicone or metal sheath • Robust design • -20 ... +160 °C • Low damping • For FL 70/FL 20 devices | | | | | |
| 33 R 1/...-MSC fibre-optic cable | | | | | | | | | | | |
| | | | | | | | | | | | |
| Design Light exit | FL 70 typ. scanning distance (mm) Standard / Fine / High | FL 20 typ. scanning distance (mm) Default setting | Fibre arrangement | Suitable for ancillary lens | Core fibre Ø (mm) (T = Transmitter; R = Receiver) Material | Sheath material | Ambient temperature (rigid installation) | Fibre bending radius (mm) | Cable length | Collar bushing | LS (mm) |
| Axial | 100 / 55 / 210 | 50 | See drawing | – | 1 x 1.0 (T/R) Glass | See Selection Table | -20 ... +160 °C | 15 | See Selection Table | M6x0,75 Brass, nickel-plated | – |

| Length (m) | Sheath material | Part number | Article number |
|------------|----------------------------|-----------------|----------------|
| 0.5 | Silicone (Si) | 33 R 1/500-Si | 979-51445 |
| 0.5 | Brass, chrome-plated (MSC) | 33 R 1/500 MSC | 979-51443 |
| 1 | Brass, chrome-plated (MSC) | 33 R 1/1000 MSC | 979-51448 |
| 1.5 | Brass, chrome-plated (MSC) | 33 R 1/1500 MSC | 979-51444 |
| 2 | Brass, chrome-plated (MSC) | 33 R 1/2000 MSC | 979-51456 |

Fibre-optic cables – standard

| K1R-68 fibre-optic cable | | | | Highlights | | | | | | | | |
|--|------------|---|---|--|-----------------------------|---|-------------------|--|---------------------------|----------------|----------------------------|---------|
|  | |  | | <ul style="list-style-type: none"> • Photoelectric proximity sensor • Very small bending radius • Head with mounting thread for attachments • Fibre length individually cutable • For FL 70/FL 20 devices | | | | | | | | |
| Design | Light exit | FL 70 typ. scanning distance (mm) Standard / Fine / High | FL 20 typ. scanning distance (mm) Default setting | Fibre arrangement | Suitable for ancillary lens | Core fibre Ø (mm) (T = Transmitter; R = Receiver) Material | Sheath material | Ambient temperature (rigid installation) | Fibre bending radius (mm) | Cable length | Collar bushing | LS (mm) |
| Axial | | 100 / 40 / 200 | 50 | See drawing | LVL F6-M4 | 8 x 0.25 (T) 8 x 0.25 (R) PMMA | Polyethylene (PE) | -40 ... +70 °C | 3 | 2 m Cutable | M4 Brass, nickel-plated | – |

| Part number | Article number |
|-------------|----------------|
| K1R-68 | 951-50001 |

| K1R-35 fibre-optic cable | | | | Highlights | | | | | | | |
|--|------------|---|-------------------|--|---|-------------------|--|---------------------------|----------------|----------------------------|---------|
|  | |  | | <ul style="list-style-type: none"> • Photoelectric proximity sensor • Precise switching behaviour on lateral approach • Head with mounting thread for attachments • Fibre length individually cutable • For FL 70 devices | | | | | | | |
| Design | Light exit | FL 70 typ. scanning distance (mm) Standard / Fine / High | Fibre arrangement | Suitable for ancillary lens | Core fibre Ø (mm) (T = Transmitter; R = Receiver) Material | Sheath material | Ambient temperature (rigid installation) | Fibre bending radius (mm) | Cable length | Collar bushing | LS (mm) |
| Coaxial | | 50 / 20 / 80 | See drawing | LVL F6-M4 | 4 x 0.25 (R) 1 x 0.5 (T) PMMA | Polyethylene (PE) | -40 ... +70 °C | 15 | 2 m Cutable | M4 Brass, nickel-plated | – |

| Part number | Article number |
|-------------|----------------|
| K1R-35 | 841-21005 |


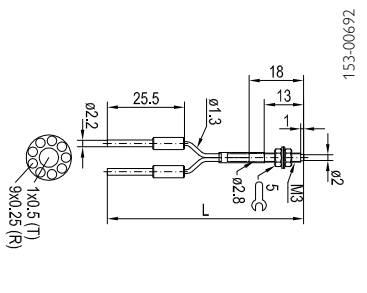
| K2R-25 fibre-optic cable | | | | | | Highlights | | | | | |
|--------------------------|--|---|-------------------|-----------------------------|--|---|--|---------------------------|-----------------|---------------------------------|---------|
| | | | | | | <ul style="list-style-type: none"> • Photoelectric proximity sensor • Precise switching behaviour on lateral approach • Short mounting sleeve • Fibre length individually cuttable • For FL 70/FL 20 devices | | | | | |
| Design Light exit | FL 70 typ. scanning distance (mm) Standard / Fine / High | FL 20 typ. scanning distance (mm) Default setting | Fibre arrangement | Suitable for ancillary lens | Core fibre Ø (mm) (T = Transmitter; R = Receiver) Material | Sheath material | Ambient temperature (rigid installation) | Fibre bending radius (mm) | Cable length | Collar bushing | LS (mm) |
| Coaxial | 130 / 60 / 240 | 70 | See drawing | – | 16 x 0.25 (R) 1 x 1.0 (T) PMMA | Polyethylene (PE) | -40 ... +70 °C | 25 | 2 m Cuttable | M6x0.75 Brass, nickel-plated | – |

| Part number | Article number |
|-------------|----------------|
| K2R-25 | 841-21004 |


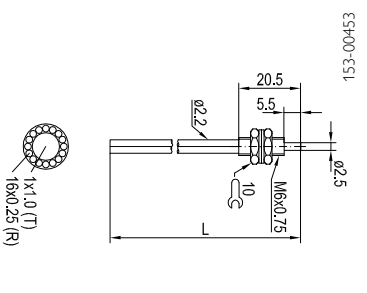
| LLK1RKM3 PE-1m fibre-optic cable | | | | | | Highlights | | | | | |
|----------------------------------|--|-------------------|-----------------------------|--|-------------------|--|---------------------------|-----------------|-----------------------|---------|--|
| | | | | | | <ul style="list-style-type: none"> • Photoelectric proximity sensor • Precise switching behaviour on lateral approach • Very small head diameter • Stainless steel head • Fibre length individually cuttable • For FL 70 devices | | | | | |
| Design Light exit | FL 70 typ. scanning distance (mm) Standard / Fine / High | Fibre arrangement | Suitable for ancillary lens | Core fibre Ø (mm) (T = Transmitter; R = Receiver) Material | Sheath material | Ambient temperature (rigid installation) | Fibre bending radius (mm) | Cable length | Collar bushing | LS (mm) | |
| Coaxial | 70 / 35 / 150 | See drawing | LVLf6-M3 | 9 x 0.25 (R) 1 x 0.5 (T) PMMA | Polyethylene (PE) | -40 ... +60 °C | 15 | 1 m Cuttable | M3 Stainless steel | – | |

| Part number | Article number |
|----------------|----------------|
| LLK1RKM3 PE-1m | 750-21002 |

Fibre-optic cables – standard

| LLK1RKM3-18 PE-2m fibre-optic cable | | | | | | Highlights | | | | | |
|--|------------|---|-------------------|----------------|--|---|----------------------|----------------------|-----------------|-----------------------|---------|
|  | |  | | | | <ul style="list-style-type: none"> • Photoelectric proximity sensor • Precise switching behaviour on lateral approach • Short mounting sleeve • Fibre length individually cuttable • For FL 70 devices | | | | | |
| Design | Light exit | FL 70 | Fibre arrangement | Suitable for | Core fibre Ø (mm) | Sheath material | Ambient temperature | Fibre bending radius | Cable length | Collar bushing | LS (mm) |
| | | typ. scanning distance (mm) Standard / Fine / High | | ancillary lens | (T = Transmitter; R = Receiver) Material | | (rigid installation) | (mm) | | | |
| Axial | | 70 / 35 / 150 | See drawing | LVL6-M3 | 9 x 0.25 (R) 1 x 0.5 (T) PMMA | Polyethylene (PE) | -40 ... +70 °C | 15 | 2 m Cuttable | M3 Stainless steel | – |

| Part number | Article number |
|-------------------|----------------|
| LLK1RKM3-18 PE-2m | 750-21005 |


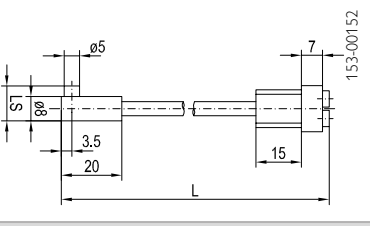

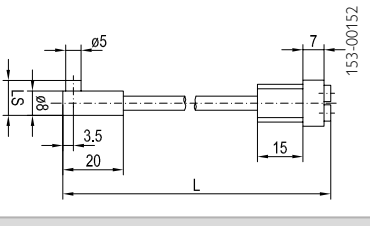

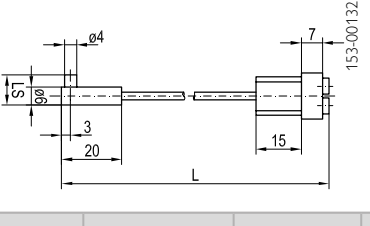
| LLK2RKM6 PE-1m fibre-optic cable | | | | | | Highlights | | | | | | |
|--|------------|---|--|-------------------|----------------|---|-------------------|----------------------|----------------------|-----------------|----------------------------|---------|
|  | |  | | | | <ul style="list-style-type: none"> • Photoelectric proximity sensor • Precise switching behaviour on lateral approach • Robust design • Fibre length individually cuttable • For FL 70/FL 20 devices | | | | | | |
| Design | Light exit | FL 70 | FL 20 | Fibre arrangement | Suitable for | Core fibre Ø (mm) | Sheath material | Ambient temperature | Fibre bending radius | Cable length | Collar bushing | LS (mm) |
| | | typ. scanning distance (mm) Standard / Fine / High | typ. scanning distance (mm) Default setting | | ancillary lens | (T = Transmitter; R = Receiver) Material | | (rigid installation) | (mm) | | | |
| Coaxial | | 150 / 80 / 310 | 80 | See drawing | – | 16 x 0.25 (R) 1 x 1.0 (T) PMMA | Polyethylene (PE) | -40 ... +60 °C | 25 | 1 m Cuttable | M6x0.75 Stainless steel | – |

| Part number | Article number |
|----------------|----------------|
| LLK2RKM6 PE-1m | 750-21003 |

| 18/30 RZ 1/...-Si fibre-optic cable | | | | | Highlights | | | | |
|--------------------------------------|--|--|-------------------------------|------------------------|---|------------------------|------------------------|--------------------------|------------------------|
| | | | | | <ul style="list-style-type: none"> • Photoelectric proximity sensor • Silicone or metal sheath • Radial light exit • Robust design • -20 ... +160 °C • Fixing via mounting block MB 6 (Article number 903-05139) • For FMS devices | | | | |
| 18/30 RZ 1/...-MSC fibre-optic cable | | | | | | | | | |
| | | | | | | | | | |
| Fibre arrangement Light exit | FMS 18 typ. scanning distance/range (mm) | FMS 30 typ. scanning distance/range (mm) | Core fibre Ø (mm) material | Sheath material | Ambient temperature (rigid installation) | Bending radius (mm) | Cable length (m) | Collar bushing Ø (mm) | LS (mm) |
| Radial | 5 | 15 | 1 x 1.0 Glass | See Selection Table | -20 ... +160 °C | 15 | See Selection Table | 6 | See Selection Table |

| LS (mm) | Length (m) | Sheath material | Part number | Article number |
|---------|------------|----------------------------|---------------------|----------------|
| 10 | 0.25 | Silicone (Si) | 18/30 RZ 1/250-Si | 979-06146 |
| 14 | 0.25 | Silicone (Si) | 18/30 RZ 1/250-Si | 979-06147 |
| 10 | 0.5 | Silicone (Si) | 18/30 RZ 1/500-Si | 979-06152 |
| 14 | 0.5 | Silicone (Si) | 18/30 RZ 1/500-Si | 979-06153 |
| 10 | 0.75 | Silicone (Si) | 18/30 RZ 1/750 Si | 979-06158 |
| 14 | 0.75 | Silicone (Si) | 18/30 RZ 1/750 Si | 979-06159 |
| 10 | 1 | Silicone (Si) | 18/30 RZ 1/1000-Si | 979-06164 |
| 14 | 1 | Silicone (Si) | 18/30 RZ 1/1000-Si | 979-06165 |
| 10 | 1.5 | Silicone (Si) | 18/30 RZ 1/1500-Si | 979-06170 |
| 14 | 1.5 | Silicone (Si) | 18/30 RZ 1/1500-Si | 979-06171 |
| 10 | 2 | Silicone (Si) | 18/30 RZ 1/2000-Si | 979-06176 |
| 14 | 2 | Silicone (Si) | 18/30 RZ 1/2000-Si | 979-06177 |
| <hr/> | | | | |
| 10 | 0.25 | Brass. chrome-plated (MSC) | 18/30 RZ 1/250-MSC | 979-06144 |
| 14 | 0.25 | Brass. chrome-plated (MSC) | 18/30 RZ 1/250-MSC | 979-06145 |
| 10 | 0.5 | Brass. chrome-plated (MSC) | 18/30 RZ 1/500-MSC | 979-06150 |
| 14 | 0.5 | Brass. chrome-plated (MSC) | 18/30 RZ 1/500-MSC | 979-06151 |
| 10 | 0.75 | Brass. chrome-plated (MSC) | 18/30 RZ 1/750-MSC | 979-06156 |
| 14 | 0.75 | Brass. chrome-plated (MSC) | 18/30 RZ 1/750-MSC | 978-06157 |
| 10 | 1 | Brass. chrome-plated (MSC) | 18/30 RZ 1/1000-MSC | 979-06162 |
| 14 | 1 | Brass. chrome-plated (MSC) | 18/30 RZ 1/1000-MSC | 979-06163 |
| 10 | 1.5 | Brass. chrome-plated (MSC) | 18/30 RZ 1/1500-MSC | 979-06168 |
| 14 | 1.5 | Brass. chrome-plated (MSC) | 18/30 RZ 1/1500-MSC | 979-06169 |
| 10 | 2 | Brass. chrome-plated (MSC) | 18/30 RZ 1/2000-MSC | 979-06174 |
| 14 | 2 | Brass. chrome-plated (MSC) | 18/30 RZ 1/2000-MSC | 979-06175 |


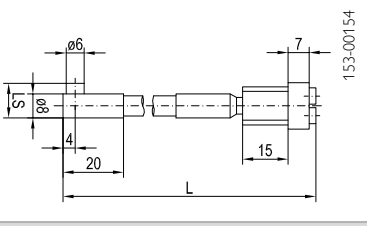

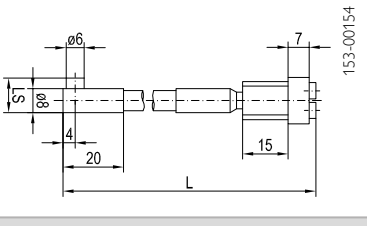

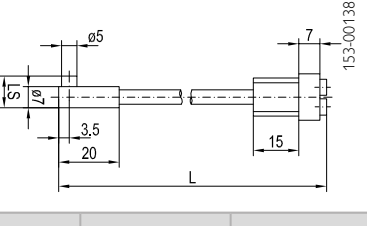
Fibre-optic cables – standard

| 18/30 RZ 2/...-Si fibre-optic cable | | | | Highlights | | | | | | |
|---|--|--|--|--|--|---------------------|---------------------|---------------------------|---------------------|--|
|  |  | | | <ul style="list-style-type: none"> • Photoelectric proximity sensor • Silicone, metal or PVC sheath • Radial light exit • Robust design • -20 ... +80°C / +160 °C • Fixing via mounting block MB 8 (MSC/Si) (Article number 903-05141) • Fixing via mounting block MB 6 (PVC) (Article number 903-05139) • For FMS devices | | | | | | |
| 18/30 RZ 2/...-MSC fibre-optic cable | | | | | | | | | | |
|  |  | | | | | | | | | |
| 18/30 RZ 2/...-PVC fibre-optic cable | | | | | | | | | | |
|  |  | | | | | | | | | |
| Fibre arrangement | FMS 18 typ. scanning distance/range (mm) | FMS 30 typ. scanning distance/range (mm) | Core fibre Ø (mm) material | Sheath material | Ambient temperature (rigid installation) | Bending radius (mm) | Cable length (m) | Collar bushing Ø (mm) | LS (mm) | |
| Radial | 50 | 60 | 2 x 1.0 (Si/MSC) 1 x 1.5 (PVC) Glass | See Selection Table | -20 ... +160 °C (Si/MSC) -20 ... +80 °C (PVC) | 8 | See Selection Table | 8 = (Si/MSC) 6 = (PVC) | See Selection Table | |

| LS (mm) | Length (m) | Sheath material | Part number | Article number |
|---------|------------|-----------------|--------------------|----------------|
| 10 | 0.25 | Silicone (Si) | 18/30 RZ 2/250-Si | 979-06182 |
| 14 | 0.25 | Silicone (Si) | 18/30 RZ 2/250-Si | 979-06183 |
| 10 | 0.5 | Silicone (Si) | 18/30 RZ 2/500-Si | 979-06188 |
| 14 | 0.5 | Silicone (Si) | 18/30 RZ 2/500-Si | 979-06189 |
| 10 | 0.75 | Silicone (Si) | 18/30 RZ 2/750-Si | 979-06194 |
| 14 | 0.75 | Silicone (Si) | 18/30 RZ 2/750-Si | 979-06195 |
| 10 | 1 | Silicone (Si) | 18/30 RZ 2/1000-Si | 979-06200 |
| 14 | 1 | Silicone (Si) | 18/30 RZ 2/1000-Si | 979-06201 |
| 10 | 1.5 | Silicone (Si) | 18/30 RZ 2/1500-Si | 979-06206 |
| 14 | 1.5 | Silicone (Si) | 18/30 RZ 2/1500-Si | 979-06207 |
| 10 | 2 | Silicone (Si) | 18/30 RZ 2/2000-Si | 979-06212 |
| 14 | 2 | Silicone (Si) | 18/30 RZ 2/2000-Si | 979-06213 |

| LS (mm) | Length (m) | Sheath material | Part number | Article number |
|---------|------------|----------------------------|---------------------|----------------|
| 10 | 0.25 | Brass, chrome-plated (MSC) | 18/30 RZ 2/250-MSC | 979-06180 |
| 14 | 0.25 | Brass, chrome-plated (MSC) | 18/30 RZ 2/250-MSC | 979-06181 |
| 10 | 0.5 | Brass, chrome-plated (MSC) | 18/30 RZ 2/500-MSC | 979-06186 |
| 14 | 0.5 | Brass, chrome-plated (MSC) | 18/30 RZ 2/500-MSC | 979-06187 |
| 10 | 0.75 | Brass, chrome-plated (MSC) | 18/30 RZ 2/750-MSC | 979-06192 |
| 14 | 0.75 | Brass, chrome-plated (MSC) | 18/30 RZ 2/750-MSC | 979-06193 |
| 10 | 1 | Brass, chrome-plated (MSC) | 18/30 RZ 2/1000-MSC | 979-06198 |
| 14 | 1 | Brass, chrome-plated (MSC) | 18/30 RZ 2/1000-MSC | 979-06199 |
| 10 | 1.5 | Brass, chrome-plated (MSC) | 18/30 RZ 2/1500-MSC | 979-06204 |
| 14 | 1.5 | Brass, chrome-plated (MSC) | 18/30 RZ 2/1500-MSC | 979-06205 |
| 10 | 2 | Brass, chrome-plated (MSC) | 18/30 RZ 2/2000-MSC | 979-06210 |
| 14 | 2 | Brass, chrome-plated (MSC) | 18/30 RZ 2/2000-MSC | 979-06211 |
| 10 | 0.25 | PVC | 18/30 RZ 2/250-PVC | 979-06178 |
| 14 | 0.25 | PVC | 18/30 RZ 2/250-PVC | 979-06179 |
| 10 | 0.5 | PVC | 18/30 RZ 2/500-PVC | 979-06184 |
| 14 | 0.5 | PVC | 18/30 RZ 2/500-PVC | 979-06185 |
| 10 | 0.75 | PVC | 18/30 RZ 2/750-PVC | 979-06190 |
| 14 | 0.75 | PVC | 18/30 RZ 2/750-PVC | 979-06191 |
| 10 | 1 | PVC | 18/30 RZ 2/1000-PVC | 979-06196 |
| 14 | 1 | PVC | 18/30 RZ 2/1000-PVC | 979-06197 |
| 10 | 1.5 | PVC | 18/30 RZ 2/1500-PVC | 979-06202 |
| 14 | 1.5 | PVC | 18/30 RZ 2/1500-PVC | 979-06203 |
| 10 | 2 | PVC | 18/30 RZ 2/2000-PVC | 979-06208 |
| 14 | 2 | PVC | 18/30 RZ 2/2000-PVC | 979-06209 |


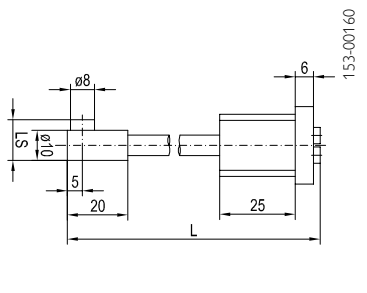

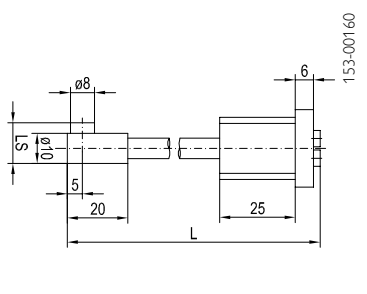
Fibre-optic cables – standard

| 18/30 RZ 3/...-Si fibre-optic cable | | | | Highlights | | | | | |
|---|--|--|--|--|--|-----------------------------|------------------------|---------------------------|---------------------------|
|  |  | | | <ul style="list-style-type: none"> • Photoelectric proximity sensor • Silicone, metal or PVC sheath • Radial light exit • Robust design • -20 ... +80°C / +160 °C • Fixing via mounting block MB 8 (Si/MSC) (Article number 903-05141) • Fixing via mounting block MB 7 (PVC) (Article number 903-05140) • For FMS devices | | | | | |
| 18/30 RZ 3/...-MSC fibre-optic cable | | | | | | | | | |
|  |  | | | | | | | | |
| 18/30 RZ 3/...-PVC fibre-optic cable | | | | | | | | | |
|  |  | | | | | | | | |
| Fibre arrangement | FMS 18 typ. scanning distance/range (mm) | FMS 30 typ. scanning distance/range (mm) | Core fibre Ø (mm) material | Sheath material | Ambient temperature (rigid installation) | Bending radius (mm) | Cable length (m) | Collar bushing Ø (mm) | LS (mm) |
| Radial | 160 | 200 | 2 x 2.0 (Si/MSC) 1 x 2.8 (PVC) Glass | See Selection Table | -20 ... +160 °C (Si/MSC) -20 ... +80 °C (PVC) | 25 = (Si/MSC) 35 = (PVC) | See Selection Table | 8 = (Si/MSC) 7 = (PVC) | See Selection Table |

| LS (mm) | Length (m) | Sheath material | Part number | Article number |
|---------|------------|-----------------|--------------------|----------------|
| 10 | 0.25 | Silicone (Si) | 18/30 RZ 3/250 Si | 979-06218 |
| 14 | 0.25 | Silicone (Si) | 18/30 RZ 3/250 Si | 979-06219 |
| 10 | 0.5 | Silicone (Si) | 18/30 RZ 3/500 Si | 979-06224 |
| 14 | 0.5 | Silicone (Si) | 18/30 RZ 3/500 Si | 979-06225 |
| 10 | 0.75 | Silicone (Si) | 18/30 RZ 3/750-Si | 979-06230 |
| 14 | 0.75 | Silicone (Si) | 18/30 RZ 3/750-Si | 979-06231 |
| 10 | 1 | Silicone (Si) | 18/30 RZ 3/1000 Si | 979-06236 |
| 14 | 1 | Silicone (Si) | 18/30 RZ 3/1000 Si | 979-06237 |
| 10 | 1.5 | Silicone (Si) | 18/30 RZ 3/1500-Si | 979-06242 |
| 14 | 1.5 | Silicone (Si) | 18/30 RZ 3/1500-Si | 979-06243 |
| 10 | 2 | Silicone (Si) | 18/30 RZ 3/2000-Si | 979-06248 |
| 14 | 2 | Silicone (Si) | 18/30 RZ 3/2000-Si | 979-06249 |

| LS (mm) | Length (m) | Sheath material | Part number | Article number |
|---------|------------|----------------------------|---------------------|----------------|
| 10 | 0.25 | Brass, chrome-plated (MSC) | 18/30 RZ 3/250-MSC | 979-06216 |
| 14 | 0.25 | Brass, chrome-plated (MSC) | 18/30 RZ 3/250-MSC | 979-06217 |
| 10 | 0.5 | Brass, chrome-plated (MSC) | 18/30 RZ 3/500-MSC | 979-06222 |
| 14 | 0.5 | Brass, chrome-plated (MSC) | 18/30 RZ 3/500-MSC | 979-06223 |
| 10 | 0.75 | Brass, chrome-plated (MSC) | 18/30 RZ 3/750-MSC | 979-06228 |
| 14 | 0.75 | Brass, chrome-plated (MSC) | 18/30 RZ 3/750-MSC | 979-06229 |
| 10 | 1 | Brass, chrome-plated (MSC) | 18/30 RZ 3/1000-MSC | 979-06234 |
| 14 | 1 | Brass, chrome-plated (MSC) | 18/30 RZ 3/1000-MSC | 979-06235 |
| 10 | 1.5 | Brass, chrome-plated (MSC) | 18/30 RZ 3/1500-MSC | 979-06240 |
| 14 | 1.5 | Brass, chrome-plated (MSC) | 18/30 RZ 3/1500-MSC | 979-06241 |
| 10 | 2 | Brass, chrome-plated (MSC) | 18/30 RZ 3/2000-MSC | 979-06246 |
| 14 | 2 | Brass, chrome-plated (MSC) | 18/30 RZ 3/2000-MSC | 979-06247 |
| 10 | 0.25 | PVC | 18/30 RZ 3/250-PVC | 979-06214 |
| 14 | 0.25 | PVC | 18/30 RZ 3/250-PVC | 979-06215 |
| 10 | 0.5 | PVC | 18/30 RZ 3/500-PVC | 979-06220 |
| 14 | 0.5 | PVC | 18/30 RZ 3/500-PVC | 979-06221 |
| 10 | 0.75 | PVC | 18/30 RZ 3/750-PVC | 979-06226 |
| 14 | 0.75 | PVC | 18/30 RZ 3/750-PVC | 979-06227 |
| 10 | 1 | PVC | 18/30 RZ 3/1000-PVC | 979-06232 |
| 14 | 1 | PVC | 18/30 RZ 3/1000-PVC | 979-06233 |
| 10 | 1.5 | PVC | 18/30 RZ 3/1500-PVC | 979-06238 |
| 14 | 1.5 | PVC | 18/30 RZ 3/1500-PVC | 979-06239 |
| 10 | 2 | PVC | 18/30 RZ 3/2000-PVC | 979-06244 |
| 14 | 2 | PVC | 18/30 RZ 3/2000-PVC | 979-06245 |

Fibre-optic cables – standard

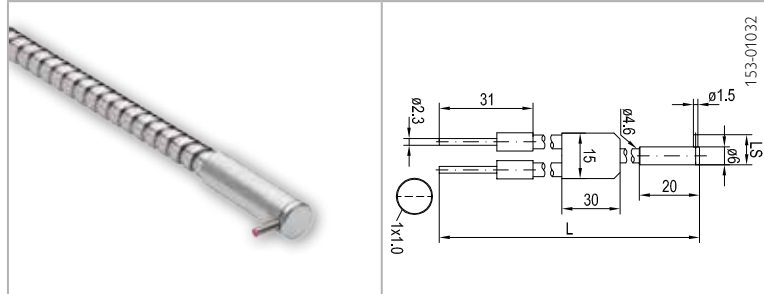
| 30 RZ 4/...-Si fibre-optic cable | | | | Highlights | | | | | |
|--|--|---|-------------------------------|---|---|------------------------|------------------------|--------------------------|---------------------------|
|  | |  | | <ul style="list-style-type: none"> • Photoelectric proximity sensor • Silicone or metal sheath • Radial light exit • Robust design • -20 ... +160 °C • Fixing via mounting block MB 10 (Article number 903-05142) • For FMS-30 devices | | | | | |
| 30 RZ 4/...-MSC fibre-optic cable | | | | | | | | | |
|  | |  | | | | | | | |
| Fibre arrangement | FMS 18 typ. scanning distance/range (mm) | FMS 30 typ. scanning distance/range (mm) | Core fibre Ø (mm) material | Sheath material | Ambient temperature (rigid installation) | Bending radius (mm) | Cable length (m) | Collar bushing Ø (mm) | LS (mm) |
| Radial | – | 400 | 2 x 2.3 Glass | See Selection Table | -20 ... +160 °C | 25 | See Selection Table | 10 | See Selection Table |

| LS (mm) | Length (m) | Sheath material | Part number | Article number |
|---------|------------|----------------------------|------------------|----------------|
| 16 | 0.25 | Silicone (Si) | 30 RZ 4/250-Si | 979-06252 |
| 20 | 0.25 | Silicone (Si) | 30 RZ 4/250-Si | 979-06253 |
| 16 | 0.5 | Silicone (Si) | 30 RZ 4/500-Si | 979-06256 |
| 20 | 0.5 | Silicone (Si) | 30 RZ 4/500-Si | 979-06257 |
| 16 | 0.75 | Silicone (Si) | 30 RZ 4/750-Si | 979-06260 |
| 20 | 0.75 | Silicone (Si) | 30 RZ 4/750-Si | 979-06261 |
| 16 | 1 | Silicone (Si) | 30 RZ 4/1000-Si | 979-06264 |
| 20 | 1 | Silicone (Si) | 30 RZ 4/1000-Si | 979-06265 |
| 16 | 1.5 | Silicone (Si) | 30 RZ 4/1500-Si | 979-06268 |
| 20 | 1.5 | Silicone (Si) | 30 RZ 4/1500-Si | 979-06269 |
| 16 | 2 | Silicone (Si) | 30 RZ 4/2000-Si | 979-06272 |
| 20 | 2 | Silicone (Si) | 30 RZ 4/2000-Si | 979-06273 |
| | | | | |
| 16 | 0.25 | Brass, chrome-plated (MSC) | 30 RZ 4/250-MSC | 979-06250 |
| 20 | 0.25 | Brass, chrome-plated (MSC) | 30 RZ 4/250-MSC | 979-06251 |
| 16 | 0.5 | Brass, chrome-plated (MSC) | 30 RZ 4/500-MSC | 979-06254 |
| 20 | 0.5 | Brass, chrome-plated (MSC) | 30 RZ 4/500-MSC | 979-06255 |
| 16 | 0.75 | Brass, chrome-plated (MSC) | 30 RZ 4/750-MSC | 979-06258 |
| 20 | 0.75 | Brass, chrome-plated (MSC) | 30 RZ 4/750-MSC | 979-06259 |
| 16 | 1 | Brass, chrome-plated (MSC) | 30 RZ 4/1000-MSC | 979-06262 |
| 20 | 1 | Brass, chrome-plated (MSC) | 30 RZ 4/1000-MSC | 979-06263 |
| 16 | 1.5 | Brass, chrome-plated (MSC) | 30 RZ 4/1500-MSC | 979-06266 |
| 20 | 1.5 | Brass, chrome-plated (MSC) | 30 RZ 4/1500-MSC | 979-06267 |
| 16 | 2 | Brass, chrome-plated (MSC) | 30 RZ 4/2000-MSC | 979-06270 |
| 20 | 2 | Brass, chrome-plated (MSC) | 30 RZ 4/2000-MSC | 979-06271 |

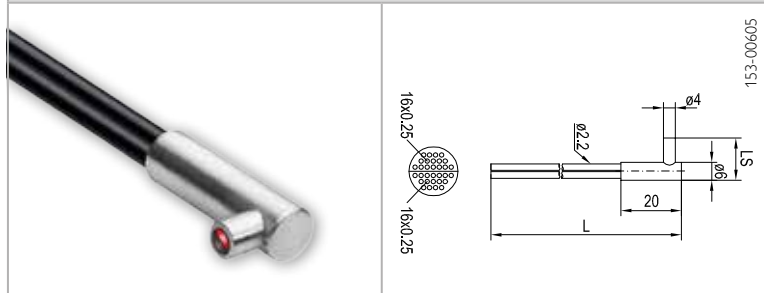
| 30 RZ 12/...-Si fibre-optic cable | | | | Highlights | | | | | | |
|------------------------------------|--|--|-------------------|---|---|------------------------|------------------------|--------------------------|---------------------------|--|
| | | | | <ul style="list-style-type: none"> • Photoelectric proximity sensor • Silicone or metal sheath • Radial light exit • Robust design • -20 ... +160 °C • Fixing via mounting block MB 10 (Article number 903-05142) • For FMS-30 devices | | | | | | |
| 30 RZ 12/...-MSC fibre-optic cable | | | | | | | | | | |
| | | | | | | | | | | |
| Fibre arrangement | FMS 18 typ. scanning distance/range (mm) | FMS 30 typ. scanning distance/range (mm) | Core fibre Ø (mm) | Sheath material | Ambient temperature (rigid installation) | Bending radius (mm) | Cable length (m) | Collar bushing Ø (mm) | LS (mm) | |
| Radial | – | 800 | 2 x 3.5 Glass | See Selection Table | -20 ... +160 °C | 45 | See Selection Table | 12 | See Selection Table | |

| LS (mm) | Length (m) | Sheath material | Part number | Article number |
|---------|------------|-------------------------------------|-------------------|----------------|
| 16 | 0.25 | Silicone (Si) | 30 RZ 12/250-Si | 979-06308 |
| 20 | 0.25 | Silicone (Si) | 30 RZ 12/250-Si | 979-06309 |
| 16 | 0.5 | Silicone (Si) | 30 RZ 12/500-Si | 979-06312 |
| 20 | 0.5 | Silicone (Si) | 30 RZ 12/500-Si | 979-06313 |
| 16 | 0.75 | Silicone (Si) | 30 RZ 12/750-Si | 979-06316 |
| 20 | 0.75 | Silicone (Si) | 30 RZ 12/750-Si | 979-06317 |
| 16 | 1 | Silicone (Si) | 30 RZ 12/1000-Si | 979-06320 |
| 20 | 1 | Silicone (Si) | 30 RZ 12/1000-Si | 979-06321 |
| 16 | 1.5 | Silicone (Si) | 30 RZ 12/1500-Si | 979-06324 |
| 20 | 1.5 | Silicone (Si) | 30 RZ 12/1500-Si | 979-06325 |
| 16 | 2 | Silicone (Si) | 30 RZ 12/2000-Si | 979-06328 |
| 20 | 2 | Silicone (Si) | 30 RZ 12/2000-Si | 979-06329 |
| | | | | |
| 16 | 0.25 | Stainless steel (V2A chrome plated) | 30 RZ 12/250-MSC | 979-06306 |
| 20 | 0.25 | Stainless steel (V2A chrome plated) | 30 RZ 12/250-MSC | 979-06307 |
| 16 | 0.5 | Stainless steel (V2A chrome plated) | 30 RZ 12/500-MSC | 979-06310 |
| 20 | 0.5 | Stainless steel (V2A chrome plated) | 30 RZ 12/500-MSC | 979-06311 |
| 16 | 0.75 | Stainless steel (V2A chrome plated) | 30 RZ 12/750-MSC | 979-06314 |
| 20 | 0.75 | Stainless steel (V2A chrome plated) | 30 RZ 12/750-MSC | 979-06315 |
| 16 | 1 | Stainless steel (V2A chrome plated) | 30 RZ 12/1000-MSC | 979-06318 |
| 20 | 1 | Stainless steel (V2A chrome plated) | 30 RZ 12/1000-MSC | 979-06319 |
| 16 | 1.5 | Stainless steel (V2A chrome plated) | 30 RZ 12/1500-MSC | 979-06322 |
| 20 | 1.5 | Stainless steel (V2A chrome plated) | 30 RZ 12/1500-MSC | 979-06323 |
| 16 | 2 | Stainless steel (V2A chrome plated) | 30 RZ 12/2000-MSC | 979-06326 |
| 20 | 2 | Stainless steel (V2A chrome plated) | 30 RZ 12/2000-MSC | 979-06327 |

Fibre-optic cables – standard

| 33 RZ 1/...-MSC fibre-optic cable | | | | | | Highlights | | | | | |
|--|---|--|-------------|----------------|--|--|----------------------|---------------|---------------------|---------------------|---------|
|  | | | | | | <ul style="list-style-type: none"> • Photoelectric proximity sensor • Metal sheath • Robust design • -20 ... +160 °C • Fixing via mounting block MB 6 (Article number 903-05139) • For FL 70/FL 20 devices | | | | | |
| Design | FL 70 | FL 20 | Fibre | Suitable for | Core fibre Ø (mm) | Sheath material | Ambient temperature | Fibre bending | Cable length | Collar | LS (mm) |
| Light exit | typ. scanning distance (mm) Standard / Fine / High | typ. scanning distance (mm) Default setting | arrangement | ancillary lens | (T = Transmitter; R = Receiver) Material | | (rigid installation) | radius (mm) | | bushing | |
| Axial | 100 / 55 / 210 | 50 | See drawing | – | 1 x 1.0 (T/R) Glass | Brass, chrome-plated (MSC) | -20 ... +160 °C | 15 | See Selection Table | Ø 6 mm Aluminium | 10 |

| Length (m) | Part number | Article number |
|------------|------------------|----------------|
| 0.5 | 33 RZ 1/500 MSC | 979-51457 |
| 1.5 | 33 RZ 1/1500 MSC | 979-51459 |
| 2 | 33 RZ 1/2000 MSC | 979-51458 |

| LLK2RZ LS=10 fibre-optic cable | | | | | | Highlights | | | | | |
|--|---|--|-------------|----------------|--|---|----------------------|---------------|-----------------|---------------------|---------|
|  | | | | | | <ul style="list-style-type: none"> • Photoelectric proximity sensor • Precise switching behaviour on lateral approach • Lateral light exit • Fixing via mounting block MB 6 (Article number 903-05139) • Fibre length individually cuttable • For FL 70/FL 20 devices | | | | | |
| Design | FL 70 | FL 20 | Fibre | Suitable for | Core fibre Ø (mm) | Sheath material | Ambient temperature | Fibre bending | Cable length | Collar | LS (mm) |
| Light exit | typ. scanning distance (mm) Standard / Fine / High | typ. scanning distance (mm) Default setting | arrangement | ancillary lens | (T = Transmitter; R = Receiver) Material | | (rigid installation) | radius (mm) | | bushing | |
| Radial | 100 / 50 / 200 | 50 | See drawing | – | 16 x 0.25 (T) 16 x 0.25 (R) PMMA | Polyethylene (PE) | -40 ... +70 °C | 15 | 2 m Cuttable | Ø 6 mm Aluminium | 10 |

| Part number | Article number |
|-------------|----------------|
| LLK2RZ | 951-50012 |


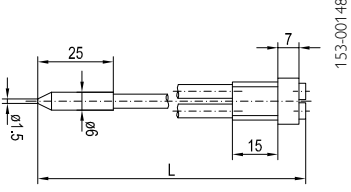

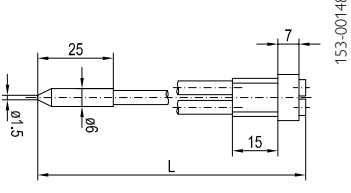

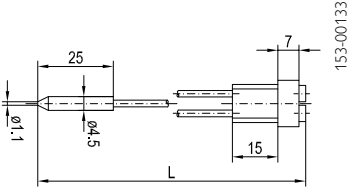
| K1RZ-31 fibre-optic cable | | | | | Highlights | | | | | | |
|---------------------------|------------|--|-------------------|-----------------------------|---|-------------------|---|---------------------------|-----------------|-----------------------------|---------|
| | | | | | <ul style="list-style-type: none"> • Photoelectric proximity sensor • Precise switching behaviour on lateral approach • Lateral light exit • Particularly suitable for restricted spaces • Fibre length individually cuttable • For FL 70 devices | | | | | | |
| Design | Light exit | FL 70 typ. scanning distance (mm) Standard / Fine / High | Fibre arrangement | Suitable for ancillary lens | Core fibre Ø (mm) (T = Transmitter; R = Receiver) Material | Sheath material | Ambient temperature (rigid installation) | Fibre bending radius (mm) | Cable length | Collar bushing | LS (mm) |
| Mono/axial | | 20 / 10 / 30 | See drawing | – | 2 x 0.5 (T/R) PMMA | Polyethylene (PE) | -40 ... +70 °C | 15 | 2 m Cuttable | Ø 1.5 mm Stainless steel | – |

| Part number | Article number |
|-------------|----------------|
| K1RZ-31 | 841-21003 |

| 18/30 L 0,4/...-Si fibre-optic cable | | | | | Highlights | | | | | | |
|--------------------------------------|------------|---|---|--|--|---|---------------------|---------------------|-----------------------|---------|--|
| | | | | | <ul style="list-style-type: none"> • Through-beam photoelectric sensor • Silicone sheath • Small axial light exit • Robust design • -20 ... +160 °C • Fixing via mounting block MB 6 (Article number 903-05139) • For FMS devices | | | | | | |
| Fibre arrangement | Light exit | FMS 18 typ. scanning distance/range (mm) | FMS 30 typ. scanning distance/range (mm) | Core fibre Ø (mm) (T=Transmitter; R=Receiver) Material | Sheath material | Ambient temperature (rigid installation) | Bending radius (mm) | Cable length (m) | Collar bushing Ø (mm) | LS (mm) | |
| Axial | | 10 | 20 | 1 x 0.4 (T) / 1 x 0.4 (R) Glass | Silicone (Si) | -20 ... +160 °C | 15 | See Selection Table | 6 | – | |

| Length (m) | Part number | Article number |
|------------|---------------------|----------------|
| 0.25 | 18/30 L 0,4/250-Si | 978-50548 |
| 0.5 | 18/30 L 0,4/500-Si | 978-50549 |
| 1 | 18/30 L 0,4/1000-Si | 978-50545 |
| 2 | 18/30 L 0,4/2000-Si | 978-50550 |

Fibre-optic cables – standard


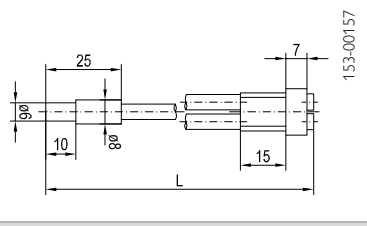

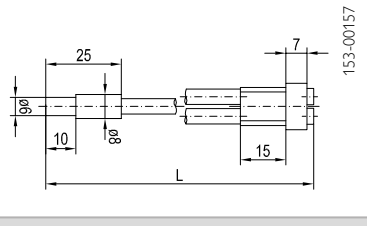
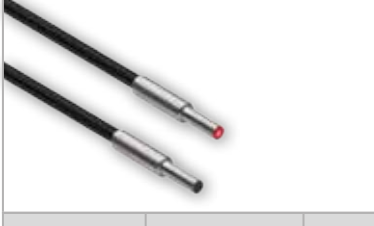
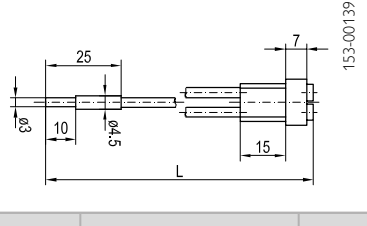
| 18/30 L 1/...-Si fibre-optic cable | | Highlights | | | | | | | | |
|--|--|---|---|---|--|---------------------|---------------------|-----------------------|---------|--|
|  | |  | | <ul style="list-style-type: none"> • Through-beam photoelectric sensor • Silicone, metal or PVC sheath • Small axial light exit • Robust design • -20 ... +80 °C / +160 °C (PVC)/(Si/MS) • Fixing via mounting block MB 6 (MSC/Si) (Article number 903-05139) • Fixing via mounting block MB 4.5 (PVC) (Article number 903-50314) • For FMS devices | | | | | | |
| 18/30 L 1/...-MSC fibre-optic cable | |  | |  | | | | | | |
| 18/30 L 1/...-PVC fibre-optic cable | |  | |  | | | | | | |
| Fibre arrangement | FMS 18 typ. scanning distance/range (mm) | FMS 30 typ. scanning distance/range (mm) | Core fibre Ø (mm) (T=Transmitter; R=Receiver) Material | Sheath material | Ambient temperature (rigid installation) | Bending radius (mm) | Cable length (m) | Collar bushing Ø (mm) | LS (mm) | |
| Axial | 80 | 100 | 1 x 0.8 (T) / 1 x 0.8 (R) (Si/MS) 1 x 1.0 (T) / 1 x 1.0 (R) (PVC) Glass | See Selection Table | -20 ... +160 °C | 15 | See Selection Table | 6 | - | |

| Length (m) | Sheath material | Part number | Article number |
|------------|----------------------------|--------------------|----------------|
| 0.25 | Silicone (Si) | 18/30 L 1/250-Si | 978-08230 |
| 0.5 | Silicone (Si) | 18/30 L 1/500-Si | 978-08231 |
| 0.75 | Silicone (Si) | 18/30 L 1/750-Si | 978-08567 |
| 1 | Silicone (Si) | 18/30 L 1/1000-Si | 978-08232 |
| 1.5 | Silicone (Si) | 18/30 L 1/1500-Si | 978-08568 |
| 2 | Silicone (Si) | 18/30 L 1/2000-Si | 978-08233 |
| 0.25 | Brass, chrome-plated (MSC) | 18/30 L 1/250-MSC | 978-08206 |
| 0.5 | Brass, chrome-plated (MSC) | 18/30 L 1/500-MSC | 978-08207 |
| 0.75 | Brass, chrome-plated (MSC) | 18/30 L 1/750-MSC | 978-08547 |
| 1 | Brass, chrome-plated (MSC) | 18/30 L 1/1000-MSC | 978-08208 |
| 1.5 | Brass, chrome-plated (MSC) | 18/30 L 1/1500-MSC | 978-08548 |
| 2 | Brass, chrome-plated (MSC) | 18/30 L 1/2000-MSC | 978-08209 |
| 0.25 | PVC | 18/30 L 1/250-PVC | 978-08193 |
| 0.5 | PVC | 18/30 L 1/500-PVC | 978-08194 |
| 0.75 | PVC | 18/30 L 1/750-PVC | 978-08541 |
| 1 | PVC | 18/30 L 1/1000-PVC | 978-08195 |
| 1.5 | PVC | 18/30 L 1/1500-PVC | 978-08542 |
| 2 | PVC | 18/30 L 1/2000-PVC | 978-08196 |

| 18/30 L 2/...-Si fibre-optic cable | | Highlights | | | | | | | |
|-------------------------------------|--|--|--|------------------------|--|-----------------------------|------------------------|-----------------------------|------------|
| | | <ul style="list-style-type: none"> Through-beam photoelectric sensor Silicone, metal or PVC sheath Axial light exit Robust design -20 ... +80 °C / +160 °C (PVC)/(Si/MSC) Fixing via mounting block MB 8 (MSC/Si) (Article number 903-05141) Fixing via mounting block MB 3.5 (PVC) (Article number 903-50313) For FMS devices | | | | | | | |
| 18/30 L 2/...-MSC fibre-optic cable | | | | | | | | | |
| | | | | | | | | | |
| 18/30 L 2/...-PVC fibre-optic cable | | <ul style="list-style-type: none"> Through-beam photoelectric sensor Silicone, metal or PVC sheath Axial light exit Robust design -20 ... +80 °C / +160 °C (PVC)/(Si/MSC) Fixing via mounting block MB 8 (MSC/Si) (Article number 903-05141) Fixing via mounting block MB 3.5 (PVC) (Article number 903-50313) For FMS devices | | | | | | | |
| | | | | | | | | | |
| | | | | | | | | | |
| Fibre arrangement | FMS 18 typ. scanning distance/range (mm) | FMS 30 typ. scanning distance/range (mm) | Core fibre Ø (mm) (T=Transmitter; R=Receiver) Material | Sheath material | Ambient temperature (rigid installation) | Bending radius (mm) | Cable length (m) | Collar bushing Ø (mm) | LS (mm) |
| Axial | 360 | 400 | 1 x 1.6 (T) / 1 x 1.6 (R) (Si/MSC) 1 x 1.5 (T) / 1 x 1.5 (R) (PVC) Glass | See Selection Table | -20 ... +160 °C (Si/MSC) -20 ... +80 °C (PVC) | 20 = (Si/MSC) 15 = (PVC) | See Selection Table | 8 = (Si/MSC) 3.5 = (PVC) | - |

| Length (m) | Sheath material | Part number | Article number |
|------------|----------------------------|--------------------|----------------|
| 0.25 | Silicone (Si) | 18/30 L 2/250-Si | 978-08238 |
| 0.5 | Silicone (Si) | 18/30 L 2/500-Si | 978-08239 |
| 0.75 | Silicone (Si) | 18/30 L 2/750-Si | 978-08571 |
| 1 | Silicone (Si) | 18/30 L 2/1000-Si | 978-08240 |
| 1.5 | Silicone (Si) | 18/30 L 2/1500-Si | 978-08572 |
| 2 | Silicone (Si) | 18/30 L 2/2000-Si | 978-08241 |
| 0.25 | Brass, chrome-plated (MSC) | 18/30 L 2/250-MSC | 978-08210 |
| 0.5 | Brass, chrome-plated (MSC) | 18/30 L 2/500-MSC | 978-08211 |
| 0.75 | Brass, chrome-plated (MSC) | 18/30 L 2/750-MSC | 978-08549 |
| 1 | Brass, chrome-plated (MSC) | 18/30 L 2/1000-MSC | 978-08212 |
| 1.5 | Brass, chrome-plated (MSC) | 18/30 L 2/1500-MSC | 978-08550 |
| 2 | Brass, chrome-plated (MSC) | 18/30 L 2/2000-MSC | 978-08213 |
| 0.25 | PVC | 18/30 L 2/250-PVC | 978-08197 |
| 0.5 | PVC | 18/30 L 2/500-PVC | 978-08198 |
| 0.75 | PVC | 18/30 L 2/750-PVC | 978-08543 |
| 1 | PVC | 18/30 L 2/1000-PVC | 978-08199 |
| 1.5 | PVC | 18/30 L 2/1500-PVC | 978-08544 |
| 2 | PVC | 18/30 L 2/2000-PVC | 978-08200 |

Fibre-optic cables – standard


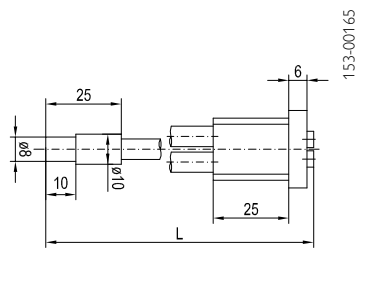

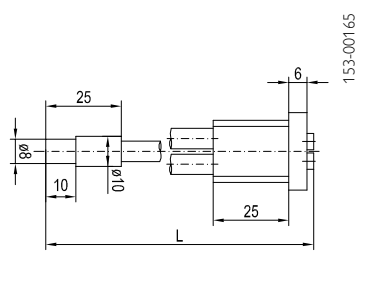
| 18/30 L 3/...-Si fibre-optic cable | | Highlights | | | | | | | |
|---|--|--|--|---|--|--|-------------------------------|-----------------------------|---------------------------------|
|  |  | <ul style="list-style-type: none"> Through-beam photoelectric sensor Silicone, metal or PVC sheath Axial light exit Robust design -20 ... +80°C / +160 °C Fixing via mounting block MB 8 (MSC/Si) (Article number 903-05141) Fixing via mounting block MB 4.5 (PVC) (Article number 903-50314) For FMS devices | | | | | | | |
| 18/30 L 3/...-MSC fibre-optic cable | | | | | | | | | |
|  |  | | | | | | | | |
| 18/30 L 3/...-PVC fibre-optic cable | | <ul style="list-style-type: none"> Through-beam photoelectric sensor Silicone, metal or PVC sheath Axial light exit Robust design -20 ... +80°C / +160 °C Fixing via mounting block MB 8 (MSC/Si) (Article number 903-05141) Fixing via mounting block MB 4.5 (PVC) (Article number 903-50314) For FMS devices | | | | | | | |
|  |  | | | | | | | | |
| Fibre arrangement Light exit | FMS 18 typ. scanning distance/range (mm) | | FMS 30 typ. scanning distance/range (mm) | Core fibre Ø (mm) (T=Transmitter; R=Receiver) Material | Sheath material | Ambient temperature (rigid installation) | Bending radius (mm) | Cable length (m) | Collar bushing Ø (mm) |
| Axial | 700 | 1000 | 1 x 2.0 (T) / 1 x 2.0 (R) Glass | See Selection Table | -20 ... +160 °C (Si/MSC) -20 ... +80 °C (PVC) | 20 | See Selection Table | 8 = (Si/MSC) 4.5 = (PVC) | - |

| Length (m) | Sheath material | Part number | Article number |
|------------|----------------------------|--------------------|----------------|
| 0.25 | Silicone (Si) | 18/30 L 3/250-Si | 978-08242 |
| 0.5 | Silicone (Si) | 18/30 L 3/500-Si | 978-08243 |
| 0.75 | Silicone (Si) | 18/30 L 3/750-Si | 978-08573 |
| 1 | Silicone (Si) | 18/30 L 3/1000-Si | 978-08244 |
| 1.5 | Silicone (Si) | 18/30 L 3/1500-Si | 978-08574 |
| 2 | Silicone (Si) | 18/30 L 3/2000-Si | 978-08245 |
| 0.25 | Brass, chrome-plated (MSC) | 18/30 L 3/250-MSC | 978-08214 |
| 0.5 | Brass, chrome-plated (MSC) | 18/30 L 3/500-MSC | 978-08215 |
| 0.75 | Brass, chrome-plated (MSC) | 18/30 L 3/750-MSC | 978-08551 |
| 1 | Brass, chrome-plated (MSC) | 18/30 L 3/1000-MSC | 978-08216 |
| 1.5 | Brass, chrome-plated (MSC) | 18/30 L 3/1500-MSC | 978-08552 |
| 2 | Brass, chrome-plated (MSC) | 18/30 L 3/2000-MSC | 978-08217 |
| 0.25 | PVC | 18/30 L 3/250-PVC | 978-08201 |
| 0.5 | PVC | 18/30 L 3/500-PVC | 978-08202 |
| 0.75 | PVC | 18/30 L 3/750-PVC | 978-08545 |
| 1 | PVC | 18/30 L 3/1000-PVC | 978-08203 |
| 1.5 | PVC | 18/30 L 3/1500-PVC | 978-08546 |
| 2 | PVC | 18/30 L 3/2000-PVC | 978-08204 |

| 30 L 4/...-Si fibre-optic cable | | | | Highlights | | | | | | |
|----------------------------------|--|--|--|---|--|---------------------|---------------------|-----------------------|---------|--|
| | | | | <ul style="list-style-type: none"> • Through-beam photoelectric sensor • Silicone or metal sheath • Axial light exit • Long range • Robust design • -20 ... +160 °C • Fixing via mounting block MB 10 (Article number 903-05142) • For FMS-30 devices | | | | | | |
| 30 L 4/...-MSC fibre-optic cable | | | | | | | | | | |
| | | | | | | | | | | |
| Fibre arrangement | FMS 18 typ. scanning distance/range (mm) | FMS 30 typ. scanning distance/range (mm) | Core fibre Ø (mm) (T=Transmitter; R=Receiver) Material | Sheath material | Ambient temperature (rigid installation) | Bending radius (mm) | Cable length (m) | Collar bushing Ø (mm) | LS (mm) | |
| Axial | – | 3000 | 1 x 2.3 (T) / 1 x 2.3 (R) Glass | See Selection Table | -20 ... +160 °C | 25 | See Selection Table | 10 | – | |

| Length (m) | Sheath material | Part number | Article number |
|------------|----------------------------|-----------------|----------------|
| 0.25 | Silicone (Si) | 30 L 4/250-Si | 978-06932 |
| 0.5 | Silicone (Si) | 30 L 4/500-Si | 978-06933 |
| 0.75 | Silicone (Si) | 30 L 4/750-Si | 978-08575 |
| 1 | Silicone (Si) | 30 L 4/1000-Si | 978-06934 |
| 1.5 | Silicone (Si) | 30 L 4/1500-Si | 978-08576 |
| 2 | Silicone (Si) | 30 L 4/2000-Si | 978-06935 |
| 0.25 | Brass. chrome-plated (MSC) | 30 L 4/250-MSC | 978-06650 |
| 0.5 | Brass. chrome-plated (MSC) | 30 L 4/500-MSC | 978-06651 |
| 0.75 | Brass. chrome-plated (MSC) | 30 L 4/750-MSC | 978-08553 |
| 1 | Brass. chrome-plated (MSC) | 30 L 4/1000-MSC | 978-06652 |
| 1.5 | Brass. chrome-plated (MSC) | 30 L 4/1500-MSC | 978-08554 |
| 2 | Brass. chrome-plated (MSC) | 30 L 4/2000-MSC | 978-06653 |

Fibre-optic cables – standard

| 30 L 12/...-Si fibre-optic cable | | | | Highlights | | | | | | | |
|--|--|---|--|---|---|---------------------------|------------------------|--------------------------|------------|--|--|
|  | |  | | <ul style="list-style-type: none"> • Through-beam photoelectric sensor • Silicone or metal sheath • Axial light exit • Extremely insensitive to contamination • Long scanning distance/range • Robust design • -20 ... +160 °C • Fixing via mounting block MB 10 (Article number 903-05142) • For FMS-30 devices | | | | | | | |
| 30 L 12/...-MSC fibre-optic cable | | | | | | | | | | | |
|  | |  | | | | | | | | | |
| Fibre arrangement | FMS 18 typ. scanning distance/range (mm) | FMS 30 typ. scanning distance/range (mm) | Core fibre Ø (mm) (T=Transmitter; R=Receiver) Material | Sheath material | Ambient temperature (rigid installation) | Bending radius (mm) | Cable length (m) | Collar bushing Ø (mm) | LS (mm) | | |
| Axial | – | 4800 | 1 × 3.5 (T) / 1 × 3.5 (R) Glass | See Selection Table | -20 ... +160 °C | 25 | See Selection Table | 12 | – | | |

| Length (m) | Sheath material | Part number | Article number |
|------------|----------------------------|------------------|----------------|
| 0.25 | Silicone (Si) | 30 L 12/250-Si | 978-06948 |
| 0.5 | Silicone (Si) | 30 L 12/500-Si | 978-06949 |
| 0.75 | Silicone (Si) | 30 L 12/750-Si | 978-08577 |
| 1 | Silicone (Si) | 30 L 12/1000-Si | 978-06950 |
| 1.5 | Silicone (Si) | 30 L 12/1500-Si | 978-08578 |
| 2 | Silicone (Si) | 30 L 12/2000-Si | 978-06951 |
| 0.25 | Brass, chrome-plated (MSC) | 30 L 12/250-MSC | 978-06797 |
| 0.5 | Brass, chrome-plated (MSC) | 30 L 12/500-MSC | 978-06798 |
| 0.75 | Brass, chrome-plated (MSC) | 30 L 12/750-MSC | 978-08555 |
| 1 | Brass, chrome-plated (MSC) | 30 L 12/1000-MSC | 978-06799 |
| 1.5 | Brass, chrome-plated (MSC) | 30 L 12/1500-MSC | 978-08556 |
| 2 | Brass, chrome-plated (MSC) | 30 L 12/2000-MSC | 978-06800 |


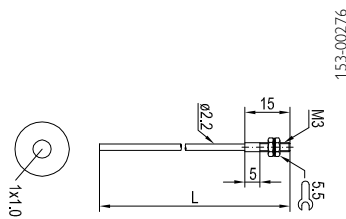
| K2L-201 fibre-optic cable | | | | | | Highlights | | | | | |
|---------------------------|--|---|-------------------|-----------------------------|--|--|--|---------------------------|-----------------|-----------------------|---------|
| | | | | | | <ul style="list-style-type: none"> • Through-beam photoelectric sensor • Small installation dimensions • Suitable for ancillary optics for range expansion • Fibre length individually cuttable • For FL 70/FL 20 devices | | | | | |
| Design Light exit | FL 70 typ. scanning distance (mm) Standard / Fine / High | FL 20 typ. scanning distance (mm) Default setting | Fibre arrangement | Suitable for ancillary lens | Core fibre Ø (mm) (T = Transmitter; R = Receiver) Material | Sheath material | Ambient temperature (rigid installation) | Fibre bending radius (mm) | Cable length | Collar bushing | LS (mm) |
| Mono/axial | 120 / 60 / 200 | – | See drawing | LVL6-M3 | 1 × 0.5 (T) 1 × 0.5 (R) PMMA | Polyethylene (PE) | -40 ... +70 °C | 25 | 2 m Cuttable | M3 Stainless steel | – |

| Part number | Article number |
|-------------|----------------|
| K2L-201 | 721-50771 |


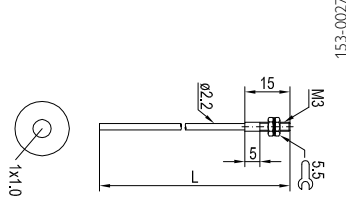
| K2L-202 fibre-optic cable | | | | | | Highlights | | | | | |
|---------------------------|--|---|-------------------|-----------------------------|--|--|--|---------------------------|-----------------|-----------------------|---------|
| | | | | | | <ul style="list-style-type: none"> • Through-beam photoelectric sensor • Short mounting sleeve • Suitable for ancillary optics for range expansion • Fibre length individually cuttable • For FL 70/FL 20 devices | | | | | |
| Design Light exit | FL 70 typ. scanning distance (mm) Standard / Fine / High | FL 20 typ. scanning distance (mm) Default setting | Fibre arrangement | Suitable for ancillary lens | Core fibre Ø (mm) (T = Transmitter; R = Receiver) Material | Sheath material | Ambient temperature (rigid installation) | Fibre bending radius (mm) | Cable length | Collar bushing | LS (mm) |
| Mono/axial | 350 / 200 / 800 | 180 | See drawing | LVL6-M4 | 1 × 1.0 (T) 1 × 1.0 (R) PMMA | Polyethylene (PE) | -40 ... +70 °C | 25 | 2 m Cuttable | M4 Stainless steel | – |

| Part number | Article number |
|-------------|----------------|
| K2L-202 | 721-50772 |

Fibre-optic cables – standard

| K2L-7 fibre-optic cable | | | | | | Highlights | | | | | |
|--|---|---|-------------|----------------|--|--|----------------------------------|---------------------|-----------------|----------------------------|---------|
|  | |  | | | | <ul style="list-style-type: none"> • Through-beam photoelectric sensor • Small installation dimensions • Suitable for ancillary optics for range expansion • Fibre length individually cuttable • For FL 70/FL 20 devices | | | | | |
| Design | FL 70 | FL 20 | Fibre | Suitable for | Core fibre Ø (mm) | Sheath material | Ambient | Fibre | Cable | Collar | LS (mm) |
| Light exit | typ. scanning distance (mm) Standard / Fine / High | typ. scanning distance (mm) Default setting | arrangement | ancillary lens | (T = Transmitter; R = Receiver) Material | | temperature (rigid installation) | bending radius (mm) | length | bushing | |
| Mono/axial | 350 / 220 / 810 | 180 | See drawing | LVL6-M3 | 1 x 1.0 (T) 1 x 1.0 (R) PMMA | Polyethylene (PE) | -40 ... +70 °C | 25 | 2 m Cuttable | M3 Brass, nickel-plated | - |

| Part number | Article number |
|-------------|----------------|
| K2L-7 | 840-11000 |

| K2L-77 fibre-optic cable | | | | | | Highlights | | | | | |
|--|---|---|-------------|----------------|--|--|----------------------------------|---------------------|-----------------|----------------------------|---------|
|  | |  | | | | <ul style="list-style-type: none"> • Through-beam photoelectric sensor • Oil-resistant • Expanded temperature range • Suitable for ancillary optics for range expansion • Fibre length individually cuttable • For FL 70/FL 20 devices | | | | | |
| Design | FL 70 | FL 20 | Fibre | Suitable for | Core fibre Ø (mm) | Sheath material | Ambient | Fibre | Cable | Collar | LS (mm) |
| Light exit | typ. scanning distance (mm) Standard / Fine / High | typ. scanning distance (mm) Default setting | arrangement | ancillary lens | (T = Transmitter; R = Receiver) Material | | temperature (rigid installation) | bending radius (mm) | length | bushing | |
| Mono/axial | 270 / 145 / 550 | 140 | See drawing | LVL6-M3 | 1 x 1.0 (T) 1 x 1.0 (R) PMMA | Polyamid (PA) | -55 ... +85 °C | 2 | 2 m Cuttable | M3 Brass, nickel-plated | - |

| Part number | Article number |
|-------------|----------------|
| K2L-77 | 840-11001 |


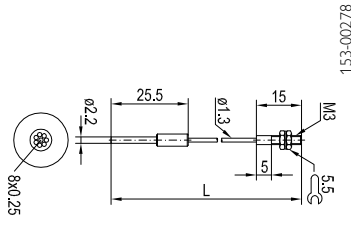
| LLK2LM3-PE-1m fibre-optic cable | | | | | | Highlights | | | | | |
|---------------------------------|--|---|-------------------|-----------------------------|--|---|--|---------------------------|-----------------|-----------------------|---------|
| | | | | | | <ul style="list-style-type: none"> • Through-beam photoelectric sensor • Stainless steel head with very small head diameter • Suitable for ancillary optics for range expansion • Fibre length individually cuttable • For FL 70/FL 20 devices | | | | | |
| Design Light exit | FL 70 typ. scanning distance (mm) Standard / Fine / High | FL 20 typ. scanning distance (mm) Default setting | Fibre arrangement | Suitable for ancillary lens | Core fibre Ø (mm) (T = Transmitter; R = Receiver) Material | Sheath material | Ambient temperature (rigid installation) | Fibre bending radius (mm) | Cable length | Collar bushing | LS (mm) |
| Mono/axial | 150 / 60 / 240 | 80 | See drawing | LVL6-M3 | 1 x 0.5 (T) 1 x 0.5 (R) PMMA | Polyethylene (PE) | -40 ... +60 °C | 25 | 1 m Cuttable | M3 Stainless steel | – |

| Part number | Article number |
|---------------|----------------|
| LLK2LM3-PE-1m | 750-11000 |


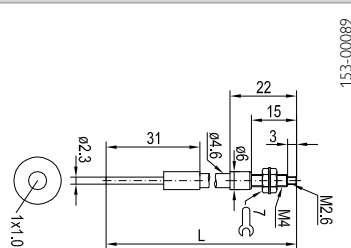
| LLK2LM4-PE-1m fibre-optic cable | | | | | | Highlights | | | | | |
|---------------------------------|--|---|-------------------|-----------------------------|--|---|--|---------------------------|-----------------|-----------------------|---------|
| | | | | | | <ul style="list-style-type: none"> • Through-beam photoelectric sensor • Suitable for ancillary optics for range expansion • Fibre length individually cuttable • For FL 70/FL 20 devices | | | | | |
| Design Light exit | FL 70 typ. scanning distance (mm) Standard / Fine / High | FL 20 typ. scanning distance (mm) Default setting | Fibre arrangement | Suitable for ancillary lens | Core fibre Ø (mm) (T = Transmitter; R = Receiver) Material | Sheath material | Ambient temperature (rigid installation) | Fibre bending radius (mm) | Cable length | Collar bushing | LS (mm) |
| Mono/axial | 400 / 240 / 780 | 200 | See drawing | LVL6-M4 | 1 x 1.0 (T) 1 x 1.0 (R) PMMA | Polyethylene (PE) | -40 ... +60 °C | 25 | 1 m Cuttable | M4 Stainless steel | – |

| Part number | Article number |
|---------------|----------------|
| LLK2LM4-PE-1m | 750-11001 |

Fibre-optic cables – standard

| K1L-78 fibre-optic cable | | | | | | Highlights | | | | | |
|--|---|---|-------------|--------------------|--|--|----------------------------------|---------------------|-----------------|----------------------------|------|
|  | |  | | | | <ul style="list-style-type: none"> • Through-beam photoelectric sensor • Very small bending radius • Suitable for ancillary optics for range expansion • Fibre length individually cuttable • For FL 70/FL 20 devices | | | | | |
| Design | FL 70 | FL 20 | Fibre | Suitable | Core fibre | Sheath | Ambient | Fibre | Cable | Collar | LS |
| Light exit | typ. scanning distance (mm) Standard / Fine / High | typ. scanning distance (mm) Default setting | arrangement | for ancillary lens | Ø (mm) (T = Transmitter; R = Receiver) Material | material | temperature (rigid installation) | bending radius (mm) | length | bushing | (mm) |
| Axial | 200 / 120 / 405 | 100 | See drawing | LVL6-M3 | 8 x 0.25 (T) 8 x 0.25 (R) PMMA | Polyethylene (PE) | -40 ... +70 °C | 3 | 2 m Cuttable | M3 Brass, nickel-plated | – |

| Part number | Article number |
|-------------|----------------|
| K1L-78 | 840-11002 |


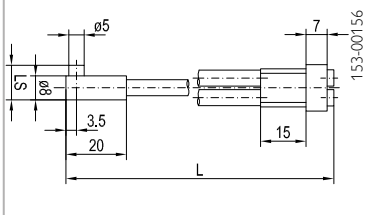

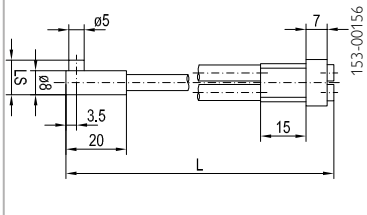

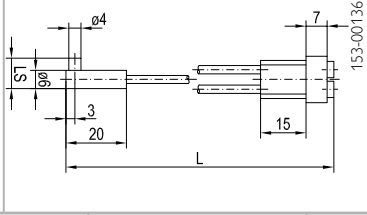
| 33 L 1/...-MSC fibre-optic cable | | | | | | Highlights | | | | | |
|--|---|---|-------------|--------------------|--|--|----------------------------------|---------------------|---------------------|----------------------------|------|
|  | |  | | | | <ul style="list-style-type: none"> • Through-beam photoelectric sensor • Metal sheath • Robust design • -20 ... +160 °C • Suitable for ancillary optics for range expansion • Fixing via mounting block MB 6 (Article number 903-05139) • For FL 70/FL 20 devices | | | | | |
| Design | FL 70 | FL 20 | Fibre | Suitable | Core fibre | Sheath | Ambient | Fibre | Cable | Collar | LS |
| Light exit | typ. scanning distance (mm) Standard / Fine / High | typ. scanning distance (mm) Default setting | arrangement | for ancillary lens | Ø (mm) (T = Transmitter; R = Receiver) Material | material | temperature (rigid installation) | bending radius (mm) | length | bushing | (mm) |
| Mono/axial | 270 / 165 / 550 | 140 | See drawing | LVL6-M4 | 1 x 1.0 (T) 1 x 1.0 (R) Glass | Brass, chrome-plated (MSC) | -20 ... +160 °C | 15 | See Selection Table | M4 Brass, nickel-plated | – |

| Length (m) | Part number | Article number |
|------------|----------------|----------------|
| 0.25 | 33 L1/250-MSC | 978-51650 |
| 0.5 | 33 L1/500-MSC | 978-51444 |
| 1 | 33 L1/1000-MSC | 978-51657 |
| 2 | 33 L1/2000-MSC | 978-51682 |

| 18/30 LZ 1/...-Si fibre-optic cable | | | | Highlights | | | | | |
|--------------------------------------|--|--|--|--|---|---------------------------|------------------------|--------------------------|------------------------|
| | | | | <ul style="list-style-type: none"> • Through-beam photoelectric sensor • Silicone or metal sheath • Radial light exit • Robust design • -20 ... +160 °C • Fixing via mounting block MB 6 (Article number 903-05139) • For FMS devices | | | | | |
| 18/30 LZ 1/...-MSC fibre-optic cable | | | | | | | | | |
| | | | | | | | | | |
| Fibre arrangement | FMS 18 typ. scanning distance/range (mm) | FMS 30 typ. scanning distance/range (mm) | Core fibre Ø (mm) (T=Transmitter; R=Receiver) Material | Sheath material | Ambient temperature (rigid installation) | Bending radius (mm) | Cable length (m) | Collar bushing Ø (mm) | LS (mm) |
| Radial | 80 | 100 | 1 x 1.0 (T) / 1 x 1.0 (R) Glass | See Selection Table | -20 ... +160 °C | 15 | See Selection Table | 6 | See Selection Table |

| LS (mm) | Length (m) | Sheath material | Part number | Article number |
|---------|------------|----------------------------|---------------------|----------------|
| 10 | 0.25 | Silicone (Si) | 18/30 LZ 1/250-Si | 978-06366 |
| 14 | 0.25 | Silicone (Si) | 18/30 LZ 1/250-Si | 978-06367 |
| 10 | 0.5 | Silicone (Si) | 18/30 LZ 1/500-Si | 978-06372 |
| 14 | 0.5 | Silicone (Si) | 18/30 LZ 1/500-Si | 978-06373 |
| 10 | 0.75 | Silicone (Si) | 18/30 LZ 1/750-Si | 978-06378 |
| 14 | 0.75 | Silicone (Si) | 18/30 LZ 1/750-Si | 978-06379 |
| 10 | 1 | Silicone (Si) | 18/30 LZ 1/1000-Si | 978-06384 |
| 14 | 1 | Silicone (Si) | 18/30 LZ 1/1000-Si | 978-06385 |
| 10 | 1.5 | Silicone (Si) | 18/30 LZ 1/1500-Si | 978-06390 |
| 14 | 1.5 | Silicone (Si) | 18/30 LZ 1/1500-Si | 978-06391 |
| 10 | 2 | Silicone (Si) | 18/30 LZ 1/2000-Si | 978-06396 |
| 14 | 2 | Silicone (Si) | 18/30 LZ 1/2000-Si | 978-06397 |
| <hr/> | | | | |
| 10 | 0.25 | Brass. chrome-plated (MSC) | 18/30 LZ 1/250-MSC | 978-06364 |
| 14 | 0.25 | Brass. chrome-plated (MSC) | 18/30 LZ 1/250-MSC | 978-06365 |
| 10 | 0.5 | Brass. chrome-plated (MSC) | 18/30 LZ 1/500-MSC | 978-06370 |
| 14 | 0.5 | Brass. chrome-plated (MSC) | 18/30 LZ 1/500-MSC | 978-06371 |
| 10 | 0.75 | Brass. chrome-plated (MSC) | 18/30 LZ 1/750-MSC | 978-06376 |
| 14 | 0.75 | Brass. chrome-plated (MSC) | 18/30 LZ 1/750-MSC | 978-06377 |
| 10 | 1 | Brass. chrome-plated (MSC) | 18/30 LZ 1/1000-MSC | 978-06382 |
| 14 | 1 | Brass. chrome-plated (MSC) | 18/30 LZ 1/1000-MSC | 978-06383 |
| 10 | 1.5 | Brass. chrome-plated (MSC) | 18/30 LZ 1/1500-MSC | 978-06388 |
| 14 | 1.5 | Brass. chrome-plated (MSC) | 18/30 LZ 1/1500-MSC | 978-06389 |
| 10 | 2 | Brass. chrome-plated (MSC) | 18/30 LZ 1/2000-MSC | 978-06394 |
| 14 | 2 | Brass. chrome-plated (MSC) | 18/30 LZ 1/2000-MSC | 978-06395 |


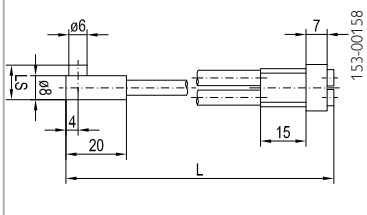

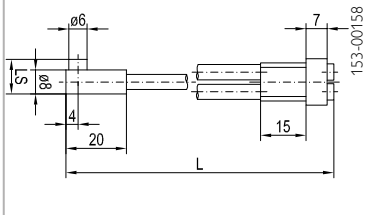

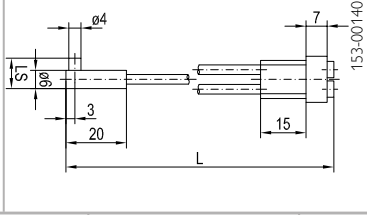
Fibre-optic cables – standard

| 18/30 LZ 2/...-Si fibre-optic cable | | Highlights | | | | | | | | | |
|--|---|---|--|------------------------|--|-----------------------------|------------------------|-----------------------------|------------------------|---|--|
|  |  | <ul style="list-style-type: none"> • Through-beam photoelectric sensor • Silicone, metal or PVC sheath • Radial light exit • Robust design • -20 ... +80°C / +160 °C • Fixing via mounting block MB 8 (MSC/Si) (Article number 903-05141) • Fixing via mounting block MB 6 (PVC) (Article number 903-05139) • For FMS devices | | | | | | | | | |
| 18/30 LZ 2/...-MSC fibre-optic cable | | | | | | | | | |  |  |
| 18/30 LZ 2/...-PVC fibre-optic cable | | | | | | | | | |  |  |
| Fibre arrangement | FMS 18 typ. scanning distance/range (mm) | FMS 30 typ. scanning distance/range (mm) | Core fibre Ø (mm) (T=Transmitter; R=Receiver) Material | Sheath material | Ambient temperature (rigid installation) | Bending radius (mm) | Cable length (m) | Collar bushing Ø (mm) | LS (mm) | | |
| Radial | 360 | 400 | 1 x 1.6 (T) / 1 x 1.6 (R) (Si/MSC) 1 x 1.5 (T) / 1 x 1.5 (R) (PVC) Glass | See Selection Table | -20 ... +160 °C (Si/MSC) -20 ... +80 °C (PVC) | 20 = (Si/MSC) 15 = (PVC) | See Selection Table | 8 = (Si/MSC) 6 = (PVC) | See Selection Table | | |

| LS (mm) | Length (m) | Sheath material | Part number | Article number |
|---------|------------|-----------------|--------------------|----------------|
| 10 | 0.25 | Silicone (Si) | 18/30 LZ 2/250-Si | 978-06402 |
| 14 | 0.25 | Silicone (Si) | 18/30 LZ 2/250-Si | 978-06403 |
| 10 | 0.5 | Silicone (Si) | 18/30 LZ 2/500-Si | 978-06408 |
| 14 | 0.5 | Silicone (Si) | 18/30 LZ 2/500-Si | 978-06409 |
| 10 | 0.75 | Silicone (Si) | 18/30 LZ 2/750-Si | 978-06414 |
| 14 | 0.75 | Silicone (Si) | 18/30 LZ 2/750-Si | 978-06415 |
| 10 | 1 | Silicone (Si) | 18/30 LZ 2/1000-Si | 978-06420 |
| 14 | 1 | Silicone (Si) | 18/30 LZ 2/1000-Si | 978-06421 |
| 10 | 1.5 | Silicone (Si) | 18/30 LZ 2/1500-Si | 978-06426 |
| 14 | 1.5 | Silicone (Si) | 18/30 LZ 2/1500-Si | 978-06427 |
| 10 | 2 | Silicone (Si) | 18/30 LZ 2/2000-Si | 978-06432 |
| 14 | 2 | Silicone (Si) | 18/30 LZ 2/2000-Si | 978-06433 |

| LS (mm) | Length (m) | Sheath material | Part number | Article number |
|---------|------------|----------------------------|---------------------|----------------|
| 10 | 0.25 | Brass, chrome-plated (MSC) | 18/30 LZ 2/250-MSC | 978-06400 |
| 14 | 0.25 | Brass, chrome-plated (MSC) | 18/30 LZ 2/250-MSC | 978-06401 |
| 10 | 0.5 | Brass, chrome-plated (MSC) | 18/30 LZ 2/500-MSC | 978-06406 |
| 14 | 0.5 | Brass, chrome-plated (MSC) | 18/30 LZ 2/500-MSC | 978-06407 |
| 10 | 0.75 | Brass, chrome-plated (MSC) | 18/30 LZ 2/750-MSC | 978-06412 |
| 14 | 0.75 | Brass, chrome-plated (MSC) | 18/30 LZ 2/750-MSC | 978-06413 |
| 10 | 1 | Brass, chrome-plated (MSC) | 18/30 LZ 2/1000-MSC | 978-06418 |
| 14 | 1 | Brass, chrome-plated (MSC) | 18/30 LZ 2/1000-MSC | 978-06419 |
| 10 | 1.5 | Brass, chrome-plated (MSC) | 18/30 LZ 2/1500-MSC | 978-06424 |
| 14 | 1.5 | Brass, chrome-plated (MSC) | 18/30 LZ 2/1500-MSC | 978-06425 |
| 10 | 2 | Brass, chrome-plated (MSC) | 18/30 LZ 2/2000-MSC | 978-06430 |
| 14 | 2 | Brass, chrome-plated (MSC) | 18/30 LZ 2/2000-MSC | 978-06431 |
| 10 | 0.25 | PVC | 18/30 LZ 2/250-PVC | 978-06398 |
| 14 | 0.25 | PVC | 18/30 LZ 2/250-PVC | 978-06399 |
| 10 | 0.5 | PVC | 18/30 LZ 2/500-PVC | 978-06404 |
| 14 | 0.5 | PVC | 18/30 LZ 2/500-PVC | 978-06405 |
| 10 | 0.75 | PVC | 18/30 LZ 2/750-PVC | 978-06410 |
| 14 | 0.75 | PVC | 18/30 LZ 2/750-PVC | 978-06411 |
| 10 | 1 | PVC | 18/30 LZ 2/1000-PVC | 978-06416 |
| 14 | 1 | PVC | 18/30 LZ 2/1000-PVC | 978-06417 |
| 10 | 1.5 | PVC | 18/30 LZ 2/1500-PVC | 978-06422 |
| 14 | 1.5 | PVC | 18/30 LZ 2/1500-PVC | 978-06423 |
| 10 | 2 | PVC | 18/30 LZ 2/2000-PVC | 978-06428 |
| 14 | 2 | PVC | 18/30 LZ 2/2000-PVC | 978-06429 |


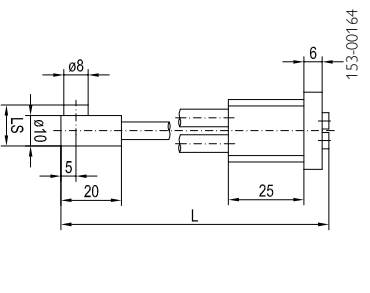

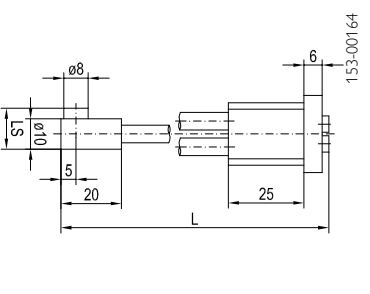
Fibre-optic cables – standard

| 18/30 LZ 3/...-Si fibre-optic cable | | Highlights | | | | | | | |
|---|--|---|------------------------------------|---------------------|--|----|---------------------|---------------------------|---------------------|
|  |  | <ul style="list-style-type: none"> • Through-beam photoelectric sensor • Silicone, metal or PVC sheath • Radial light exit • Robust design • -20 ... +80°C / +160 °C • Fixing via mounting block MB 8 (Si/MSC) (Article number 903-05141) • Fixing via mounting block MB 6 (PVC) (Article number 903-05139) • For FMS devices | | | | | | | |
| 18/30 LZ 3/...-MSC fibre-optic cable | | | | | | | | | |
|  |  | | | | | | | | |
| 18/30 LZ 3/...-PVC fibre-optic cable | | <ul style="list-style-type: none"> • Through-beam photoelectric sensor • Silicone, metal or PVC sheath • Radial light exit • Robust design • -20 ... +80°C / +160 °C • Fixing via mounting block MB 8 (Si/MSC) (Article number 903-05141) • Fixing via mounting block MB 6 (PVC) (Article number 903-05139) • For FMS devices | | | | | | | |
|  |  | | | | | | | | |
| Fibre arrangement Light exit | FMS 18 typ. scanning distance/range (mm) | | | | | | | | |
| Radial | 700 | 1000 | 1 x 2.0 (T) / 1 x 2.0 (R) Glass | See Selection Table | -20 ... +160 °C (Si/MSC) -20 ... +80 °C (PVC) | 20 | See Selection Table | 8 = (Si/MSC) 6 = (PVC) | See Selection Table |

| LS (mm) | Length (m) | Sheath material | Part number | Article number |
|---------|------------|-----------------|--------------------|----------------|
| 10 | 0.25 | Silicone (Si) | 18/30 LZ 3/250-Si | 978-06438 |
| 14 | 0.25 | Silicone (Si) | 18/30 LZ 3/250-Si | 978-06439 |
| 10 | 0.5 | Silicone (Si) | 18/30 LZ 3/500-Si | 978-06444 |
| 14 | 0.5 | Silicone (Si) | 18/30 LZ 3/500-Si | 978-06445 |
| 10 | 0.75 | Silicone (Si) | 18/30 LZ 3/750-Si | 978-06450 |
| 14 | 0.75 | Silicone (Si) | 18/30 LZ 3/750-Si | 978-06451 |
| 10 | 1 | Silicone (Si) | 18/30 LZ 3/1000-Si | 978-06456 |
| 14 | 1 | Silicone (Si) | 18/30 LZ 3/1000-Si | 978-06457 |
| 10 | 1.5 | Silicone (Si) | 18/30 LZ 3/1500-Si | 978-06462 |
| 14 | 1.5 | Silicone (Si) | 18/30 LZ 3/1500-Si | 978-06463 |
| 10 | 2 | Silicone (Si) | 18/30 LZ 3/2000-Si | 978-06468 |
| 14 | 2 | Silicone (Si) | 18/30 LZ 3/2000-Si | 978-06469 |

| LS (mm) | Length (m) | Sheath material | Part number | Article number |
|---------|------------|----------------------------|---------------------|----------------|
| 10 | 0.25 | Brass, chrome-plated (MSC) | 18/30 LZ 3/250-MSC | 978-06436 |
| 14 | 0.25 | Brass, chrome-plated (MSC) | 18/30 LZ 3/250-MSC | 978-06437 |
| 10 | 0.5 | Brass, chrome-plated (MSC) | 18/30 LZ 3/500-MSC | 978-06442 |
| 14 | 0.5 | Brass, chrome-plated (MSC) | 18/30 LZ 3/500-MSC | 978-06443 |
| 10 | 0.75 | Brass, chrome-plated (MSC) | 18/30 LZ 3/750-MSC | 978-06448 |
| 14 | 0.75 | Brass, chrome-plated (MSC) | 18/30 LZ 3/750-MSC | 978-06449 |
| 10 | 1 | Brass, chrome-plated (MSC) | 18/30 LZ 3/1000-MSC | 978-06454 |
| 14 | 1 | Brass, chrome-plated (MSC) | 18/30 LZ 3/1000-MSC | 978-06455 |
| 10 | 1.5 | Brass, chrome-plated (MSC) | 18/30 LZ 3/1500-MSC | 978-06460 |
| 14 | 1.5 | Brass, chrome-plated (MSC) | 18/30 LZ 3/1500-MSC | 978-06461 |
| 10 | 2 | Brass, chrome-plated (MSC) | 18/30 LZ 3/2000-MSC | 978-06466 |
| 14 | 2 | Brass, chrome-plated (MSC) | 18/30 LZ 3/2000-MSC | 978-06467 |
| 10 | 0.25 | PVC | 18/30 LZ 3/250-PVC | 978-06434 |
| 14 | 0.25 | PVC | 18/30 LZ 3/250-PVC | 978-06435 |
| 10 | 0.5 | PVC | 18/30 LZ 3/500-PVC | 978-06440 |
| 14 | 0.5 | PVC | 18/30 LZ 3/500-PVC | 978-06441 |
| 10 | 0.75 | PVC | 18/30 LZ 3/750-PVC | 978-06446 |
| 14 | 0.75 | PVC | 18/30 LZ 3/750-PVC | 978-06447 |
| 10 | 1 | PVC | 18/30 LZ 3/1000-PVC | 978-06452 |
| 14 | 1 | PVC | 18/30 LZ 3/1000-PVC | 978-06453 |
| 10 | 1.5 | PVC | 18/30 LZ 3/1500-PVC | 978-06458 |
| 14 | 1.5 | PVC | 18/30 LZ 3/1500-PVC | 978-06459 |
| 10 | 2 | PVC | 18/30 LZ 3/2000-PVC | 978-06464 |
| 14 | 2 | PVC | 18/30 LZ 3/2000-PVC | 978-06465 |

Fibre-optic cables – standard


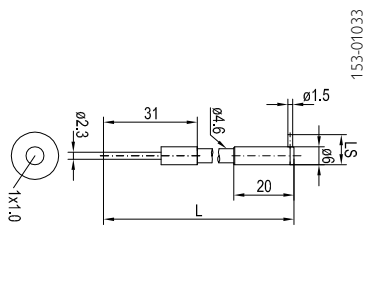

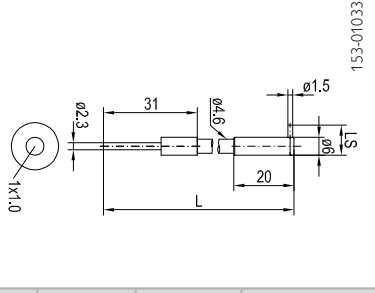
| 30 LZ 4/...-Si fibre-optic cable | | | | Highlights | | | | | | |
|--|--|---|--|--|---|---------------------------|------------------------|--------------------------|------------------------|--|
|  | |  | | <ul style="list-style-type: none"> • Through-beam photoelectric sensor • Silicone or metal sheath • Radial light exit • Long range • Robust design • -20 ... +160 °C • Fixing via mounting block MB 10 (Article number 903-05142) • For FMS-30 devices | | | | | | |
| 30 LZ 4/...-MSC fibre-optic cable | | | | | | | | | | |
|  | |  | | | | | | | | |
| Fibre arrangement | FMS 18 typ. scanning distance/range (mm) | FMS 30 typ. scanning distance/range (mm) | Core fibre Ø (mm) (T=Transmitter; R=Receiver) Material | Sheath material | Ambient temperature (rigid installation) | Bending radius (mm) | Cable length (m) | Collar bushing Ø (mm) | LS (mm) | |
| Radial | – | 3000 | 1 × 2.3 (T) / 1 × 2.3 (R) Glass | See Selection Table | -20 ... +160 °C | 25 | See Selection Table | 10 | See Selection Table | |

| LS (mm) | Length (m) | Sheath material | Part number | Article number |
|---------|------------|----------------------------|------------------|----------------|
| 16 | 0.25 | Silicone (Si) | 30 LZ 4/250-Si | 978-06472 |
| 20 | 0.25 | Silicone (Si) | 30 LZ 4/250-Si | 978-06473 |
| 16 | 0.5 | Silicone (Si) | 30 LZ 4/500-Si | 978-06476 |
| 20 | 0.5 | Silicone (Si) | 30 LZ 4/500-Si | 978-06477 |
| 16 | 0.75 | Silicone (Si) | 30 LZ 4/750-Si | 978-06481 |
| 20 | 0.75 | Silicone (Si) | 30 LZ 4/750-Si | 978-06482 |
| 16 | 1 | Silicone (Si) | 30 LZ 4/1000-Si | 978-06485 |
| 20 | 1 | Silicone (Si) | 30 LZ 4/1000-Si | 978-06486 |
| 16 | 1.5 | Silicone (Si) | 30 LZ 4/1500-Si | 978-06489 |
| 20 | 1.5 | Silicone (Si) | 30 LZ 4/1500-Si | 978-06490 |
| 16 | 2 | Silicone (Si) | 30 LZ 4/2000-Si | 978-06493 |
| 20 | 2 | Silicone (Si) | 30 LZ 4/2000-Si | 978-06494 |
| <hr/> | | | | |
| 16 | 0.25 | Brass. chrome-plated (MSC) | 30 LZ 4/250-MSC | 978-06470 |
| 20 | 0.25 | Brass. chrome-plated (MSC) | 30 LZ 4/250-MSC | 978-06471 |
| 16 | 0.5 | Brass. chrome-plated (MSC) | 30 LZ 4/500-MSC | 978-06474 |
| 20 | 0.5 | Brass. chrome-plated (MSC) | 30 LZ 4/500-MSC | 978-06475 |
| 16 | 0.75 | Brass. chrome-plated (MSC) | 30 LZ 4/750-MSC | 978-06478 |
| 20 | 0.75 | Brass. chrome-plated (MSC) | 30 LZ 4/750-MSC | 978-06480 |
| 16 | 1 | Brass. chrome-plated (MSC) | 30 LZ 4/1000-MSC | 978-06483 |
| 20 | 1 | Brass. chrome-plated (MSC) | 30 LZ 4/1000-MSC | 978-06484 |
| 16 | 1.5 | Brass. chrome-plated (MSC) | 30 LZ 4/1500-MSC | 978-06487 |
| 20 | 1.5 | Brass. chrome-plated (MSC) | 30 LZ 4/1500-MSC | 978-06488 |
| 16 | 2 | Brass. chrome-plated (MSC) | 30 LZ 4/2000-MSC | 978-06491 |
| 20 | 2 | Brass. chrome-plated (MSC) | 30 LZ 4/2000-MSC | 978-06492 |

| 30 LZ 12/...-Si fibre-optic cable | | | | Highlights | | | | | |
|------------------------------------|--|--|--|--|---|---------------------------|------------------------|--------------------------|------------------------|
| | | | | <ul style="list-style-type: none"> • Through-beam photoelectric sensor • Silicone or metal sheath • Radial light exit • Extremely insensitive to contamination • Robust design • -20 ... +160 °C • Fixing via mounting block MB 10 (Article number 903-05142) • For FMS-30 devices | | | | | |
| 30 LZ 12/...-MSC fibre-optic cable | | | | | | | | | |
| | | | | | | | | | |
| Fibre arrangement Light exit | FMS 18 typ. scanning distance/range (mm) | FMS 30 typ. scanning distance/range (mm) | Core fibre Ø (mm) (T=Transmitter; R=Receiver) Material | Sheath material | Ambient temperature (rigid installation) | Bending radius (mm) | Cable length (m) | Collar bushing Ø (mm) | LS (mm) |
| Radial | – | 4800 | 1 x 3.5 (T) / 1 x 3.5 (R) Glass | See Selection Table | -20 ... +160 °C | 25 | See Selection Table | 10 | See Selection Table |

| LS (mm) | Length (m) | Sheath material | Part number | Article number |
|---------|------------|----------------------------|-------------------|----------------|
| 16 | 0.25 | Silicone (Si) | 30 LZ 12/250-Si | 978-06529 |
| 20 | 0.25 | Silicone (Si) | 30 LZ 12/250-Si | 978-06530 |
| 16 | 0.5 | Silicone (Si) | 30 LZ 12/500-Si | 978-06533 |
| 20 | 0.5 | Silicone (Si) | 30 LZ 12/500-Si | 978-06534 |
| 16 | 0.75 | Silicone (Si) | 30 LZ 12/750-Si | 978-06537 |
| 20 | 0.75 | Silicone (Si) | 30 LZ 12/750-Si | 978-06538 |
| 16 | 1 | Silicone (Si) | 30 LZ 12/1000-Si | 978-06541 |
| 20 | 1 | Silicone (Si) | 30 LZ 12/1000-Si | 978-06542 |
| 16 | 1.5 | Silicone (Si) | 30 LZ 12/1500-Si | 978-06545 |
| 20 | 1.5 | Silicone (Si) | 30 LZ 12/1500-Si | 978-06546 |
| 16 | 2 | Silicone (Si) | 30 LZ 12/2000-Si | 978-06549 |
| 20 | 2 | Silicone (Si) | 30 LZ 12/2000-Si | 978-06550 |
| | | | | |
| 16 | 0.25 | Brass. chrome-plated (MSC) | 30 LZ 12/250-MSC | 978-06527 |
| 20 | 0.25 | Brass. chrome-plated (MSC) | 30 LZ 12/250-MSC | 978-06528 |
| 16 | 0.5 | Brass. chrome-plated (MSC) | 30 LZ 12/500-MSC | 978-06531 |
| 20 | 0.5 | Brass. chrome-plated (MSC) | 30 LZ 12/500-MSC | 978-06532 |
| 16 | 0.75 | Brass. chrome-plated (MSC) | 30 LZ 12/750-MSC | 978-06535 |
| 20 | 0.75 | Brass. chrome-plated (MSC) | 30 LZ 12/750-MSC | 978-06536 |
| 16 | 1 | Brass. chrome-plated (MSC) | 30 LZ 12/1000-MSC | 978-06539 |
| 20 | 1 | Brass. chrome-plated (MSC) | 30 LZ 12/1000-MSC | 978-06540 |
| 16 | 1.5 | Brass. chrome-plated (MSC) | 30 LZ 12/1500-MSC | 978-06543 |
| 20 | 1.5 | Brass. chrome-plated (MSC) | 30 LZ 12/1500-MSC | 978-06544 |
| 16 | 2 | Brass. chrome-plated (MSC) | 30 LZ 12/2000-MSC | 978-06547 |
| 20 | 2 | Brass. chrome-plated (MSC) | 30 LZ 12/2000-MSC | 978-06548 |

Fibre-optic cables – standard

| 33 LZ 1/...-Si fibre-optic cable | | | | | | Highlights | | | | | |
|--|---|---|-------------|----------------|--|---|----------------------|----------------------|---------------------|------------------|---------|
|  | |  | | | | <ul style="list-style-type: none"> • Through-beam photoelectric sensor • Silicone or metal sheath • Robust design • -20 ... +160 °C • Fixing via mounting block MB 6 (Article number 903-05139) • For FL 70/FL 20 devices | | | | | |
| 33 LZ 1/...-MSC fibre-optic cable | | | | | | | | | | | |
|  | |  | | | | | | | | | |
| Design | FL 70 | FL 20 | Fibre | Suitable for | Core fibre Ø (mm) | Sheath material | Ambient temperature | Fibre bending radius | Cable length | Collar bushing Ø | LS (mm) |
| Light exit | typ. scanning distance (mm) Standard / Fine / High | typ. scanning distance (mm) Default setting | arrangement | ancillary lens | (T = Transmitter; R = Receiver) Material | | (rigid installation) | (mm) | | (mm) | |
| Axial | 270 / 165 / 550 | 140 | See drawing | LVL F6-M4 | 1 x 1.0 (T) 1 x 1.0 (R) Glass | See Selection Table | -20 ... +160 °C | 15 | See Selection Table | 6 | 10 |

| Cable length | Sheath material | Part number | Article number |
|--------------|----------------------------|-----------------|----------------|
| Up to 2 m | Silicone (Si) | 33 LZ 1/...-Si | 978-51581 |
| Up to 2 m | Brass, chrome-plated (MSC) | 33 LZ 1/...-MSC | 978-51580 |

| LLK2LZ fibre-optic cable | | | | | | Highlights | | | | | | |
|--------------------------|------------|---|--|------------------------|--------------------------------|--|----------------------|---|---------------------------------|-----------------|-----------------------------|---------|
| | | | | | | <ul style="list-style-type: none"> • Through-beam photoelectric sensor • Lateral light exit • Robust design • Fixing via mounting block MB 6 (Article number 903-05139) • Fibre length individually cuttable • For FL 70/FL 20 devices | | | | | | |
| Design | Light exit | FL 70 typ. scanning distance (mm) Standard / Fine / High | FL 20 typ. scanning distance (mm) Default setting | Fibre arrange- ment | Suitable for ancillary lens | Core fibre Ø (mm) (T = Transmitter; R = Receiver) Material | Sheath material | Ambient temperature (rigid installation) | Fibre bending radius (mm) | Cable length | Collar bushing Ø (mm) | LS (mm) |
| Radial | | 300 / 150 / 600 | 150 | See drawing | – | 16 x 0.25 (T) 16 x 0.25 (R) PMMA | Polyethylene (PE) | -40 ... +70 °C | 15 | 2 m Cutable | 8 Aluminium | 10 |

| Part number | Article number |
|-------------|----------------|
| LLK2LZ | 950-50007 |

| K2L-34 fibre-optic cable | | | | | | Highlights | | | | | | |
|----------------------------------|------------|---|--|------------------------|--------------------------------|---|----------------------|---|---------------------------------|-----------------|--------------------------------|---------|
| | | | | | | <ul style="list-style-type: none"> • Through-beam photoelectric sensor • Lateral light exit • Bendable stainless steel tip • Particularly suitable for restricted spaces • Fibre length individually cuttable • For FL 70/FL 20 devices | | | | | | |
| Design | Light exit | FL 70 typ. scanning distance (mm) Standard / Fine / High | FL 20 typ. scanning distance (mm) Default setting | Fibre arrange- ment | Suitable for ancillary lens | Core fibre Ø (mm) (T = Transmitter; R = Receiver) Material | Sheath material | Ambient temperature (rigid installation) | Fibre bending radius (mm) | Cable length | Collar bushing | LS (mm) |
| Bendable mono / radial tip | | 100 / 35 / 150 | 150 | – | – | 1 x 1.0 (T) 1 x 1.0 (R) PMMA | Polyethylene (PE) | -40 ... +70 °C | 15 | 2 m Cutable | Ø 1.5 mm Stainless steel | – |

| Part number | Article number |
|-------------|----------------|
| K2L-34 | 950-50002 |