


VISOR® V20 Code Reader Advanced, medium field of view

Multi-Code Reader for 1D and 2D codes

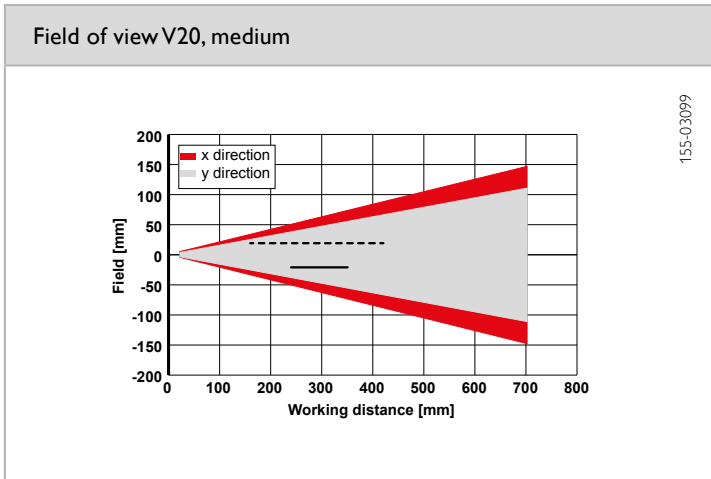
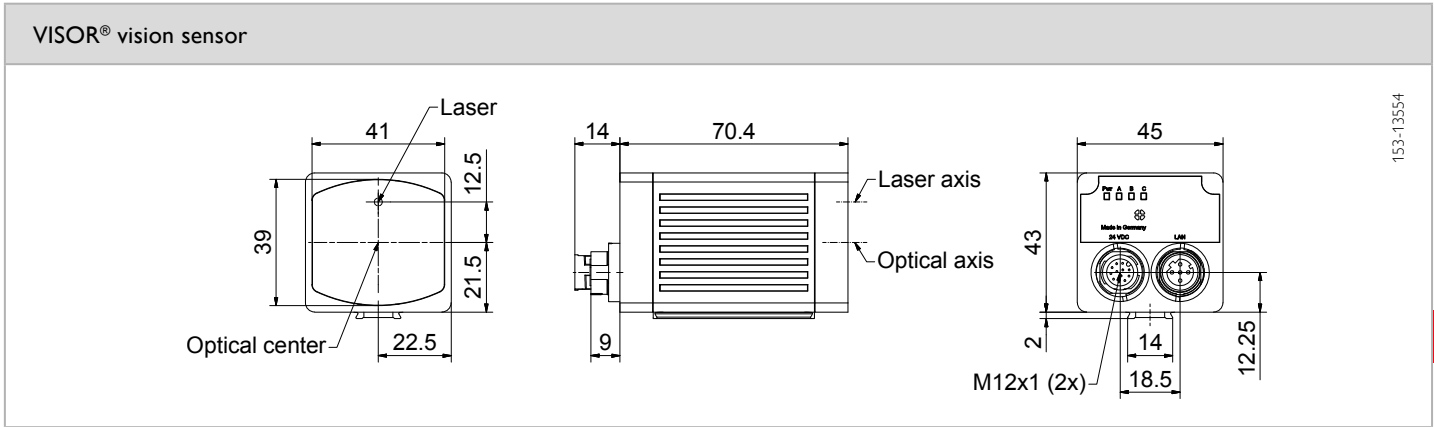


PRODUCT HIGHLIGHTS

- Can be used for all common 2D codes (ECC 200 data matrix) and common 1D bar codes
- Reliable detection of even poorly readable codes under difficult ambient conditions
- Comprehensive tools for flexible and easy connection to PC and PLC environments
- Reading of several similar or differing types of codes in one reading pass

| Optical data | | Functions | |
|--|---|--------------------------------|---|
| Resolution | 1440 × 1080 Pixel | Number of jobs / detectors | max. 255 / max. 255 |
| Imaging chip CMOS | 1/2.9", monochrome | Detectors | Barcode: reading 1D bar codes, EAN, UPC, RSS, 2/5 Interleaved, 2/5 Industrial, code 32, code 39, code 93, code 128, GS1, pharm code, codabar; Datacode: reading 2D codes: ECC200, QR code, PDF 417, GS1 |
| Integrated lens, focal length [mm] | 12 (medium) | | |
| Pixel size | 3.45 µm × 3.45 µm | | |
| Focus | Motorized | | |
| Adjustment range | 25 mm to infinity | | |
| Integrated illumination | White (5000 K), red (635 nm), infrared (850 nm) LEDs | | |
| Minimum field of view, X × Y | 10 × 8 mm | | |
| Target laser | Laser: red (635 nm) class 1  (IEC 60825-1) | | |
| Electrical data | | Mechanical data | |
| Operating voltage, +U _B | 18 ... 30 DC ¹ | Dimensions | 70.4 × 45 × 45 mm (without plug) |
| Current consumption (without I/O) | ≤ 300 mA | Enclosure rating | IP 67 & IP 65 |
| Protective circuits | Reverse-polarity protection, U _B / short-circuit protection of all outputs | Material, housing | Aluminium, die-cast, RoHS compliant |
| Power On Delay | Ca. 13 s after Power on | Material, front screen | Plastic |
| Outputs | PNP/NPN (switchable) | Ambient temperature: operation | 0 ... +50 °C ² |
| Max. output current (per output) | 50 mA, 100 mA (pin 12) | Ambient temperature: storage | -20 ... +60 °C ² |
| Switching threshold inputs incl. encoder | PNP/NPN High > U _B -1 V / Low < 3 V | Weight | Approx. 200 g |
| Input resistance | > 20 kΩ | Plug connections | Supply and I/O M12, 12-pin Ethernet M12, 4-pin |
| Interfaces | Ethernet (LAN), EtherNet/IP, PROFINET, SensoWeb, Service Port | Vibration resistance | EN 60068-2-6 |
| VISOR® V20-CR-Advanced | | Shock resistance | EN 60068-2-27 |
| Inputs/outputs | 2 inputs, 2 outputs, 6 selectable inputs/outputs | | |
| Encoder | ✓ | | |

¹ Max. ripple < 5V_{SS} ² 80 % air humidity, noncondensing



- - - - - Increased depth of field
- Normal depth of field

| illumination | Part number | Article number | Accessories | |
|--------------|---------------------|----------------|-----------------------|----------------|
| White | V20-CR-A3-W-M-M2-L | 632-91046 | Connection cables | From Page A-38 |
| White | V20-CR-A3-W-MD-M2-L | 632-91095 | Illumination | From Page A-27 |
| Red | V20-CR-A3-R-M-M2-L | 632-91049 | Brackets | From Page A-4 |
| Red | V20-CR-A3-R-MD-M2-L | 632-91078 | Interface accessories | From Page A-38 |
| Infrared | V20-CR-A3-I-M-M2-L | 632-91052 | | |
| Infrared | V20-CR-A3-I-MD-M2-L | 632-91099 | | |