

# VISOR® V20 Robotic Advanced, C-Mount

Vision sensor for object detection, presence check, completeness check, measurement and positioning tasks



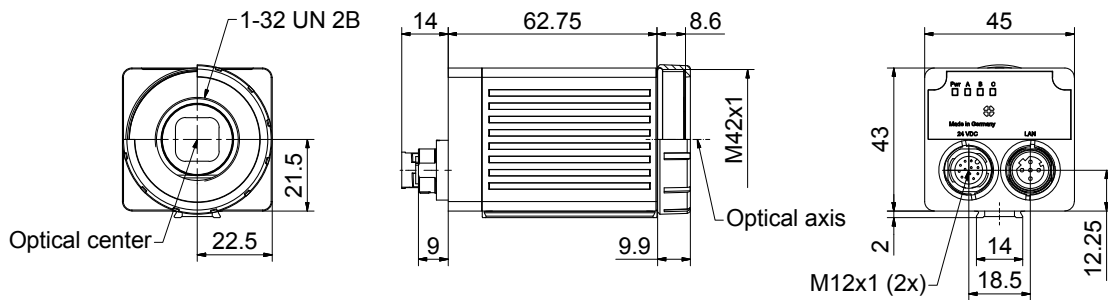
## PRODUCT HIGHLIGHTS

- Calibration methods for robotics applications
- Detectors for position determination
- Result offset
- Offset of work plane
- Gripping space check

Optical data		Functions	
Resolution	1440 x 1080 pixels	Number of jobs / detectors	max. 255 / max. 255
Imaging chip CMOS	1/2.9", monochrome / color	Detectors	Position tracking; X/Y and orientation; <b>Pattern matching / Contour:</b> teach-in and detection of patterns and contours; <b>Calliper:</b> distance between edges; <b>BLOB, Grey threshold, Brightness:</b> evaluation of brightness; <b>Contrast:</b> evaluation of contrast
Integrated lens, focal length [mm]	C-mount		
Pixel size	3,45 µm x 3,45 µm		
Focus	Manual		
Adjustment range	Dependent on lens		
Integrated illumination	None		
Minimum field of view, X x Y	Dependent on lens		
Target laser	No		
Electrical data		Mechanical data	
Operating voltage, +U <sub>B</sub>	18 ... 30V DC <sup>2</sup>	Dimensions	70,4 x 45 x 45 mm (without plug)
Current consumption (without I/O)	≤ 300 mA	Enclosure rating	IP 67 & IP 65 <sup>3</sup>
Protective circuits	Reverse-polarity protection, U <sub>B</sub> / short-circuit protection of all outputs	Material, housing	Aluminium, die-cast, RoHS compliant
Power On Delay	Approx. 13 s after Power on	Material, front screen	Plastic
Outputs	PNP/NPN (switchable)	Ambient temperature: operation	0 ... +50 °C <sup>4</sup>
Max. output current (per output)	50 mA, 100 mA (pin 12)	Ambient temperature: storage	-20 ... +60 °C <sup>4</sup>
Switching threshold inputs incl. encoder	PNP/NPN High > U <sub>B</sub> -1V / Low < 3V	Weight	Approx. 200 g
Input resistance	> 20 kΩ	Plug connections	Versorgung und I/O M12, 12-polig, Ethernet M12, 4-polig,
Interfaces	Ethernet (LAN), EtherNet/IP, PROFINET, SensoWeb, Service Port	Vibrationsfestigkeit	EN 60068-2-6
Inputs/outputs	2 inputs, 2 outputs, 6 selectable inputs/outputs	Schockfestigkeit	EN 60068-2-27
Encoder	✓		

<sup>1</sup> Color hardware    <sup>2</sup> max. Restwelligkeit < 5V<sub>SS</sub>    <sup>3</sup> only with protective casing    <sup>4</sup> 80 % air humidity, noncondensing

Vision-Sensor VISOR® C-mount



153-13555



Part number	Article number
LPTVxx-G37.5	651-01006
LPTVxx-25.0	651-01007

	LO C 8	LO C 12	LO C 16	LO C 25	LO C 35	LO C 50	LO C 75
Focal length	8 mm	12 mm	16 mm	25 mm	35 mm	50 mm	75 mm
Article number	526-51513	526-51514	526-51515	526-51516	526-51525	526-51113	526-51116

Part number	Article number	Accessories	
V20-RO-A3-C-2	632-91073	Connection cables	From Page A-38
V20C-RO-A3-C-2	632-91077	Illumination	From Page A-27
		Lenses	From Page A-25
		Brackets	From Page A-4
		Interface accessories	From Page A-38