

VISOR® V20 Allround Advanced, C-Mount

Combines VISOR® Object Color, Code Reader



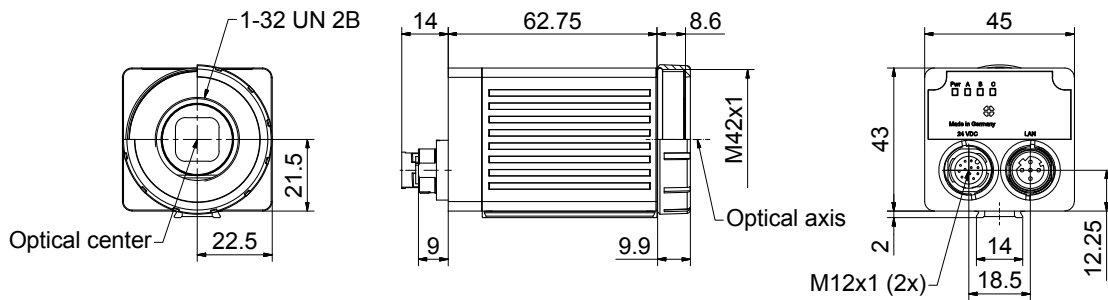
PRODUCT HIGHLIGHTS

- All evaluations ("Detectors") of object sensor and code reader united in one device
- Highly accurate evaluation via 1,5 mega- pixel chip
- Real-world engineering units at a mouse click
- Precise determination of X/Y position, orientation and tracking
- Can be used for all common 2D-Codes (ECC 200-Data-matrix) and common 1D-bar codes
- Detection of differences in height in the pseudo height image with multishot technology

Optical data		Functions	
Resolution	1440 x 1080 pixels	Number of jobs / detectors	max. 255 / max. 255
Imaging chip CMOS	1/2.9", monochrome / color	Detectors	Position tracking: X/Y and orientation; Pattern matching / Contour: teach-in and detection of patterns and contours; Calliper: distance between edges; BLOB, Grey threshold, Brightness: evaluation of brightness; Contrast: evaluation of contrast; Color value¹: output of color values; Color area¹: area inspection of colors, with selectable tolerance; Color list¹: finding the most similar colors Barcode: reading 1D bar codes, EAN, UPC, RSS, 2/5 Interleaved, 2/5 Industrial, code 32, code 39, code 93, code 128, GS1, pharm code, codabar; Datacode: reading 2D codes: ECC200, QR code, GS1, PDF 417; OCR: reading of fonts
Integrated lens, focal length [mm]	C-mount		
Pixel size	3,45 µm x 3,45 µm		
Focus	Manual		
Adjustment range	Dependent on lens		
Integrated illumination	None		
Minimum field of view, X x Y	Dependent on lens		
Target laser	No		
Electrical data		Mechanical data	
Operating voltage, +U _B	18 ... 30V DC ²	Dimensions	70,4 x 45 x 45 mm (without plug)
Current consumption (without I/O)	≤ 300 mA	Enclosure rating	IP 67 & IP 65 ³
Protective circuits	Reverse-polarity protection, U _B / short-circuit protection of all outputs	Material, housing	Aluminium, die-cast, RoHS compliant
Power On Delay	Ca. 13 s after Power on	Material, front screen	Plastic
Outputs	PNP/NPN (switchable)	Ambient temperature: operation	0 ... +50 °C ⁴
Max. output current (per output)	50 mA, 100 mA (pin 12)	Ambient temperature: storage	-20 ... +60 °C ⁴
Switching threshold inputs incl. encoder	PNP/NPN High > U _B -1V / Low < 3V	Weight	Approx. 200 g
Input resistance	> 20 kΩ	Plug connections	Versorgung und I/O M12, 12-polig, Ethernet M12, 4-polig,
Interfaces	Ethernet (LAN), EtherNet/IP, PROFINET, SensoWeb, Service Port	Vibrationsfestigkeit	EN 60068-2-6
Inputs/outputs	2 inputs, 2 outputs, 6 selectable inputs/outputs	Schockfestigkeit	EN 60068-2-27
Encoder	✓		

¹ Color hardware ² Max. ripple < 5V_{SS} ³ only with protective casing ⁴ 80 % air humidity, noncondensing

Vision-Sensor VISOR® C-mount



153-13555

4

Lens	Illumination
	

155-02565

Illumination	Part number	Article number
White	LM 100 WWK-24Q4-2L12	532-51096
Red	LM 100 RWK-24Q4-2L12	532-51097
-	LM 100 W DF	532-51098

Lens	LO C 8	LO C 12	LO C 16	LO C 25	LO C 35	LO C 50	LO C 75
Focal length	8 mm	12 mm	16 mm	25 mm	35 mm	50 mm	75 mm
Article number	526-51513	526-51514	526-51515	526-51516	526-51525	526-51113	526-51116

Part number	Article number	Accessories
V20-ALL-A3-C-2	632-91017	Connection cables
V20C-ALL-A3-C-2	632-91027	Illumination
		Lenses
		Brackets
		Interface accessories
		From Page A-38
		From Page A-27
		From Page A-25
		From Page A-4
		From Page A-38