


VISOR® V10 Code Reader Advanced, wide field of view

Multi-Code Reader for 1D and 2D codes

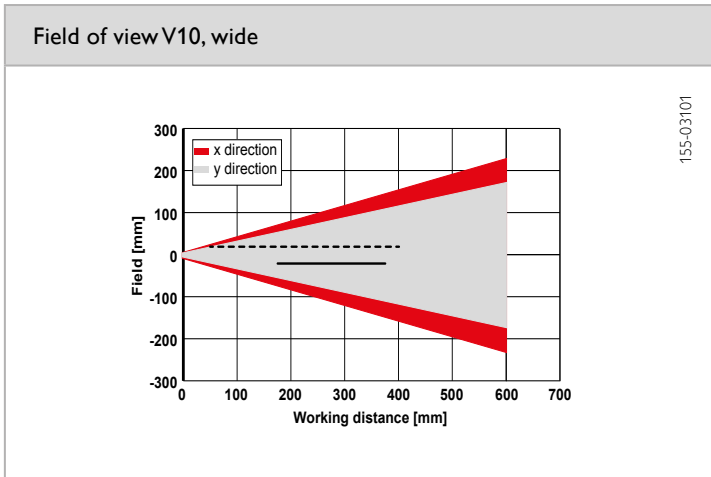
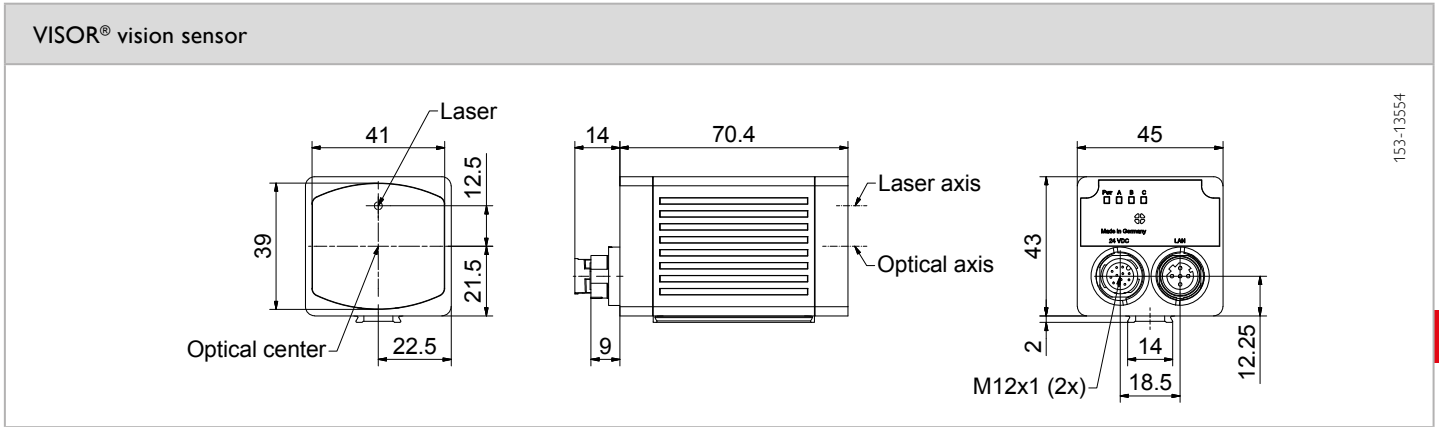


PRODUCT HIGHLIGHTS

- Can be used for all common 2D codes (ECC 200 data matrix) and common 1D bar codes
- Reliable detection of even poorly readable codes under difficult ambient conditions
- Comprehensive tools for flexible and easy connection to PC and PLC environments
- Reading of several similar or differing types of codes in one reading pass

Optical data		Functions	
Resolution	800 × 600 Pixel	Number of jobs / detectors	max. 255 / max. 255
Imaging chip CMOS	1/3.6", monochrome	Detectors	Barcode: reading of 1D barcodes: EAN, UPC, RSS, 2/5 Interleaved, 2/5 Industrial, Code 32, Code 39, Code 93, Code 128, GS1, Pharmacode, Codabar; Datacode: reading of 2D barcodes: ECC200, QR-Code, PDF 417, ECC200 GS1
Integrated lens, focal length [mm]	5.2 (wide)		
Pixel size	4.8 μm × 4.8 μm		
Focus	Motorized		
Adjustment range	0 mm to infinity		
Integrated illumination	White (5000 K), red (635 nm), infrared (850 nm) LEDs		
Minimum field of view, X × Y	2 × 1 mm		
Target laser	Laser: red (635 nm) class 1  (IEC 60825-1)		
Electrical data		Mechanical data	
Operating voltage, +U _B	18 ... 30 DC ¹	Dimensions	70.4 × 45 × 45 mm (without plug)
Current consumption (without I/O)	≤ 300 mA	Enclosure rating	IP 67 & IP 65
Protective circuits	Reverse-polarity protection, U _B / short-circuit protection of all outputs	Material, housing	Aluminium, die-cast, RoHS compliant
Power On Delay	Ca. 13 s after Power on	Material, front screen	Plastic
Outputs	PNP/NPN (switchable)	Ambient temperature: operation	0 ... +50 °C ²
Max. output current (per output)	50 mA, 100 mA (pin 12)	Ambient temperature: storage	-20 ... +60 °C ²
Switching threshold inputs incl. encoder	PNP/NPN High > U _B -1 V / Low < 3 V	Weight	Approx. 200 g
Input resistance	> 20 kΩ	Plug connections	Supply and I/O M12, 12-pin Ethernet M12, 4-pin
Interfaces	Ethernet (LAN), EtherNet/IP, PROFINET, SensoWeb, Service Port	Vibration resistance	EN 60068-2-6
VISOR® V20-CR-Advanced		Shock resistance	EN 60068-2-27
Inputs/outputs	2 inputs, 2 outputs, 6 selectable inputs/outputs		
Encoder	✓		

¹ Max. ripple < 5V_{SS} ² 80 % air humidity, noncondensing



----- Increased depth of field
 _____ Normal depth of field

Illumination	Part number	Article number	Accessories	
White	V10-CR-A3-W-W-M2-L	631-91051	Connection cables	From Page A-38
White	V10-CR-A3-W-WD-M2-L	631-91035	Illumination	From Page A-27
Red	V10-CR-A3-R-W-M2-L	631-91054	Brackets	From Page A-4
Red	V10-CR-A3-R-WD-M2-L	631-91033	Interface accessories	From Page A-38
Infrared	V10-CR-A3-I-W-M2-L	631-91057		
Infrared	V10-CR-A3-I-WD-M2-L	631-91031		