

V10 Eyesight

Vision system for complex image-processing applications, 6 mm



PRODUCT HIGHLIGHTS

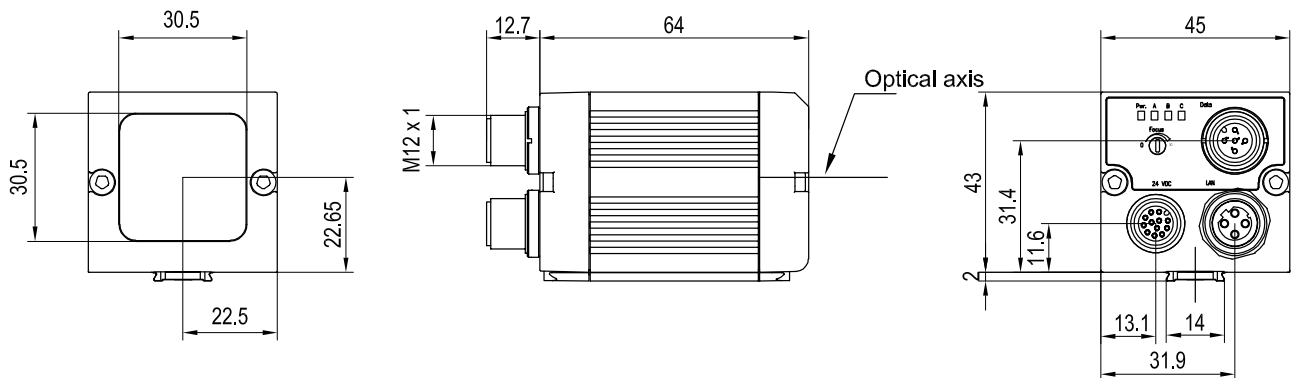
- Complete image-processing package with robust and flexible hardware
- Programming via drag & drop of function blocks
- Complex, iterative linkage of individual inspections
- Image processing can be simulated on the PC without camera
- Image and result visualisation in inspection mode
- Script interpreter for advanced user functions

Optical data		Functions	
Resolution	736 x 480 pixels	Number of inspection programs	No limitation (max. ca. 40 MB)
CMOS	1/3", monochrome or colour	Functions	All function blocks for object measurement, position determination / tracking, sequence control, data and image transfer, contour inspection, subprogrammes, script interpreter.
Integrated lens, focal length	6 mm, adjustable focal position		
Adjustment range	6 mm to infinity		
Integrated illumination	White, red, infrared LEDs		
Minimum field of view, X x Y	5 x 4 mm ²	Properties	See overview of commands
		Typical cycle times	Dependent on inspection programme
Electrical data		Mechanical data	
Operating voltage, +U _B	18 ... 26.4V DC ¹	Dimensions	65 x 45 x 45 mm (without plug)
Current consumption (without illumination and I/O)	≤ 120 mA	Enclosure rating	IP 67
Current consumption (without I/O)	≤ 200 mA	Material, housing	Aluminium, plastic
Protective circuits	Reverse-polarity protection, U _B / short-circuit protection of all outputs	Material, front screen	Plastic
Power On Delay	Ca. 13 s after Power on	Ambient temperature: operation	0 ... +50 °C ²
Outputs	PNP	Ambient temperature: storage	-20 ... +60 °C ²
Max. output current (per output)	50 mA, 100 mA (pin 12)	Weight	Ca. 160 g
Inputs	PNP High > U _B -1 V, Low < 3 V	Plug connections	Supply and I/O M12, 12-pin Ethernet M12, 4-pin Data M12, 5-pin
Input resistance	> 20 kΩ	Vibration and impact resistance	EN 60947-5-2
Interfaces	Ethernet (LAN), RS422, RS232		
Inputs/outputs	2 inputs, 4 outputs, 4 selectable inputs/outputs		

¹ Max. ripple < 5V_{SS} ² 80 % air humidity, non-condensing

Illumination	Product variant	Part number	Article number
White	Monochrome	V10-EYE-A1-W6	537-91000
Red	Monochrome	V10-EYE-A1-R6	537-91002
Infrared	Monochrome	V10-EYE-A1-I6	537-91005
White	Colour	V10C-EYE-A2-W6	537-91011

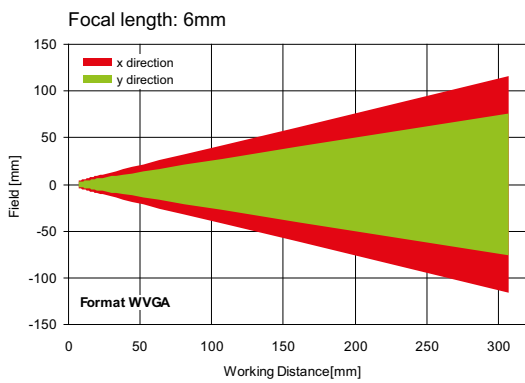
V10 vision system



153-00911

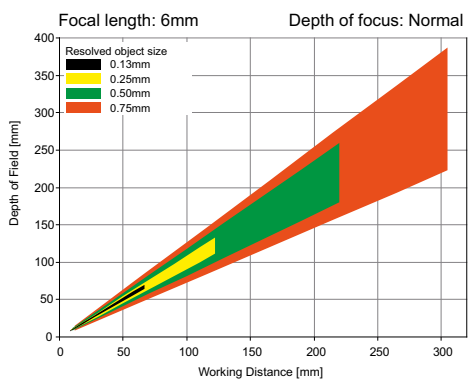
4

Field of view



155-01422

Depth of field: normal



155-01409

Accessories

Connection cables	From Page A-38
Illumination	From Page A-30
Brackets	From Page A-14
Interface accessories	From Page A-42