

V20 Eyesight

Vision system for complex image-processing applications, 12 mm



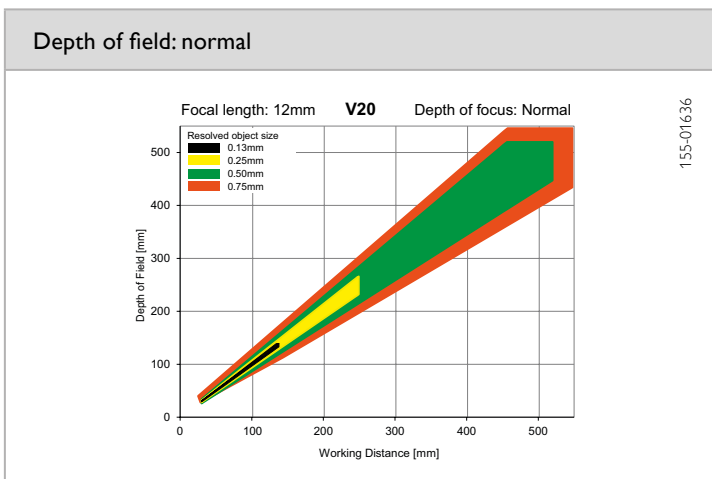
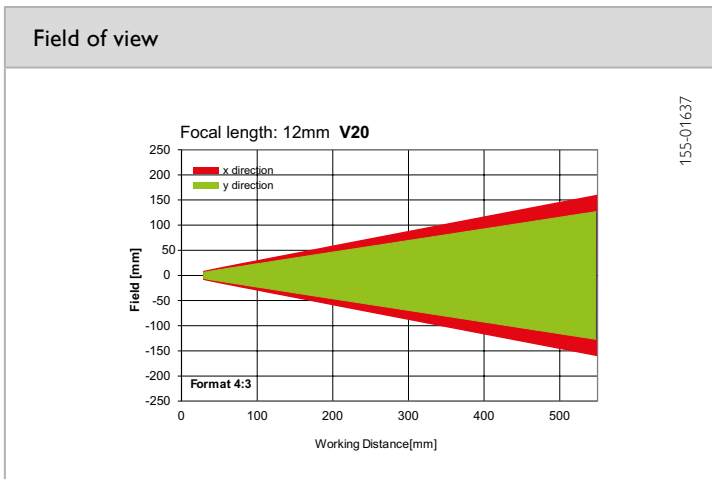
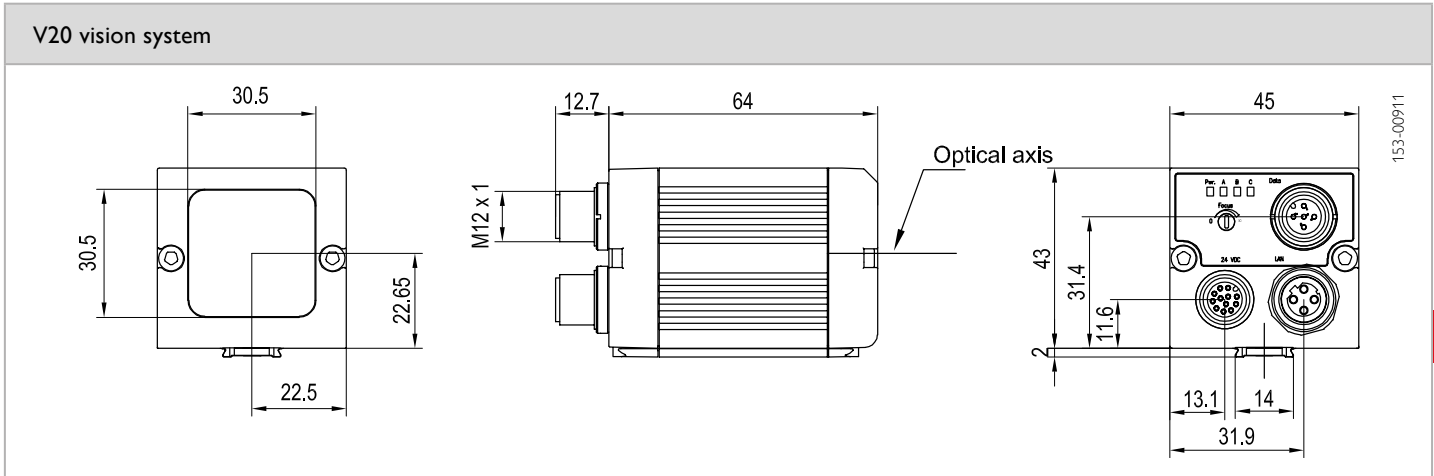
PRODUCT HIGHLIGHTS

- Complete image-processing package with robust and flexible hardware, 1.3 mega pixel
- Programming via drag & drop of function blocks
- Complex, iterative linkage of individual inspections
- Image processing can be simulated on the PC without camera
- Image and result visualisation in inspection mode
- Script interpreter for advanced user functions

Optical data		Functions	
Resolution	1280 x 1024 pixels	Number of inspection programmes	No limitation (max. ca. 40 MB)
CMOS	1/1.8", monochrome or colour	Functions	All function blocks for object measurement, position determination/tracking, sequence control, data and image transfer, contour inspection, subprogrammes, script interpreter.
Integrated lens, focal length	12 mm, adjustable focal position	Properties	See overview of commands
Adjustment range	30 mm to infinity	Typical cycle times	Dependent on inspection programme
Integrated illumination	White, red, infrared LEDs		
Minimum field of view, X x Y	16 x 13 mm ²		
Electrical data		Mechanical data	
Operating voltage, +U _B	18 ... 26.4V DC ¹	Dimensions	65 x 45 x 45 mm (without plug)
Current consumption (without illumination and I/O)	≤ 120 mA	Enclosure rating	IP 67
Current consumption (without I/O)	≤ 200 mA	Material, housing	Aluminium, plastic
Protective circuits	Reverse-polarity protection, U _B / short-circuit protection of all outputs	Material, front screen	Plastic
Power On Delay	Ca. 13 s after Power on	Ambient temperature: operation	0 ... +50 °C ²
Outputs	PNP	Ambient temperature: storage	-20 ... +60 °C ²
Max. output current (per output)	50 mA, 100 mA (pin 12)	Weight	Ca. 160 g
Inputs	PNP High > U _B -1 V, Low < 3 V	Plug connections	Supply and I/O M12, 12-pin Ethernet M12, 4-pin Data M12, 5-pin
Input resistance	> 20 kΩ	Vibration and impact resistance	EN 60947-5-2
Interfaces	Ethernet (LAN), RS422, RS232		
Inputs/outputs	2 inputs, 4 outputs, 4 selectable inputs/outputs		

¹ Max. ripple < 5V_{SS} ² 80 % air humidity, non-condensing

Illumination	Product variant	Part number	Article number
White	Monochrome	V20-EYE-A2-W12	537-91008
Red	Monochrome	V20-EYE-A2-R12	537-91009
Infrared	Monochrome	V20-EYE-A2-I12	537-91010
White	Colour	V20C-EYE-A2-W12	537-91014



Accessories

Connection cables	From Page A-38
Illumination	From Page A-30
Brackets	From Page A-14
Interface accessories	From Page A-42