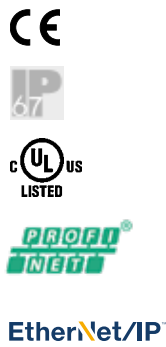


VISOR® V20 Robotic

Advanced vision sensor for robotics applications, 12 mm



PRODUCT HIGHLIGHTS

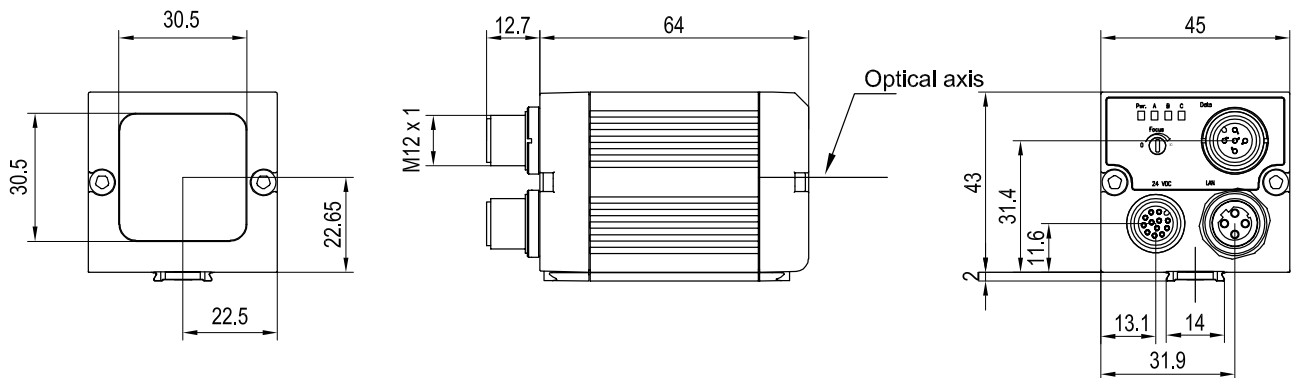
- Different detectors for locating up to 10,000 components
- Gripping space check – check for available space around gripper
- Result offset correction in VISOR® software for simple adjustment of gripper point
- Two calibration methods for robotics applications
- Offset of work plane through Z-offset function
- High-precision analysis due to 1.3 megapixel resolution

Optical data		Functions	
Resolution	1280 × 1024 pixels	Number of jobs / detectors	max. 255 / max. 255
CMOS	1/1.8", monochrome	Special functions	Calibration plate (Robot) Point pair list (Robot) Z-Offset Gripping space check Result offset correction
Integrated lens, focal length	12 mm, adjustable focal position	Detectors	Contour; pattern comparison, calliper; BLOB, contrast, brightness, grey level
Adjustment range	30 mm to infinity	Properties	Position tracking: X/Y and orientation; pattern comparison / contour: teach-in and detection of patterns and contours; calliper: distance between edges; BLOB, grey threshold, brightness; evaluation of brightness; contrast: evaluation of contrast
Integrated illumination	White, red, infrared LEDs	Typical cycle times	same as VISOR® V20 Object sensor
Minimum field of view, X × Y	16 × 13 mm ²		
Electrical data		Mechanical data	
Operating voltage, +U _B	18 ... 26.4 V DC ¹	Dimensions	65 × 45 × 45 mm (without plug)
Current consumption (without illumination and I/O)	≤ 120 mA	Enclosure rating	IP 67
Current consumption (without I/O)	≤ 200 mA	Material, housing	Aluminium, plastic
Protective circuits	Reverse-polarity protection, U _B / short-circuit protection of all outputs	Material, front screen	Plastic
Power On Delay	Approx. 13 s after Power on	Ambient temperature: operation	0 ... +50° C ²
Outputs	PNP / NPN (switchable)	Ambient temperature: storage	-20 ... +60° C ²
Max. output current (per output)	50 mA, 100 mA (pin 12)	Weight	Approx. 160 g
Inputs	PNP/NPN High > U _B -1 V, Low < 3 V	Plug connections	Supply and I/O M12, 12-pin Ethernet M12, 4-pin Data M12, 5-pin
Input resistance	> 20 kOhm	Vibration and impact resistance	EN 60947-5-2
Encoder input	High > 4 V		
Interfaces	Ethernet (LAN), RS422, RS232, EtherNet/IP, PROFINET, SensoWeb		
Inputs/outputs	2 inputs, 4 outputs, 4 selectable inputs/outputs		

¹ Max. ripple < 5 V_{SS} ² 80 % air humidity, non-condensing

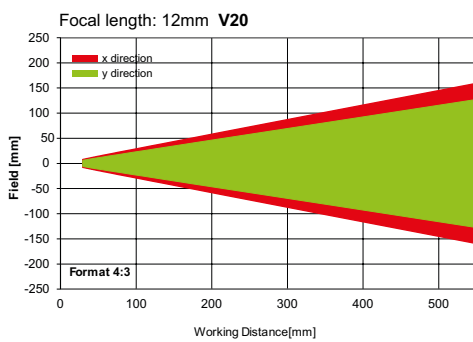
Illumination	Part number	Article number
White	V20-RO-A2-W12	536-91047
Red	V20-RO-A2-R12	536-91048
Infrared	V20-RO-A2-I12	536-91049

VISOR® vision sensor



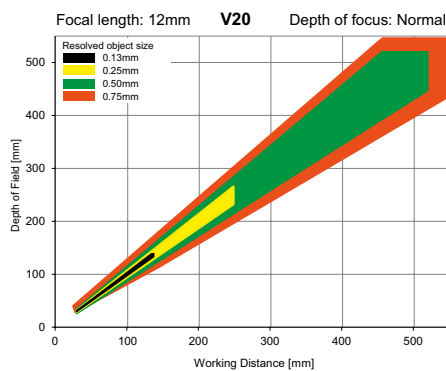
153-00911

Field of view



155-01637

Depth of field: normal



155-01636

Accessories

Connection cables	From Page A-38
Illumination	From Page A-27
Brackets	From Page A-4
Interface accessories	From Page A-38
Calibration	From Page A-38