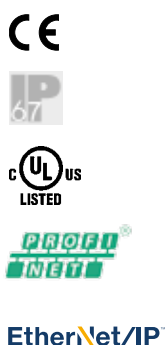


# VISOR® V10 Code Reader

Advanced vision sensor code reading with object detection, 25 mm



## PRODUCT HIGHLIGHTS

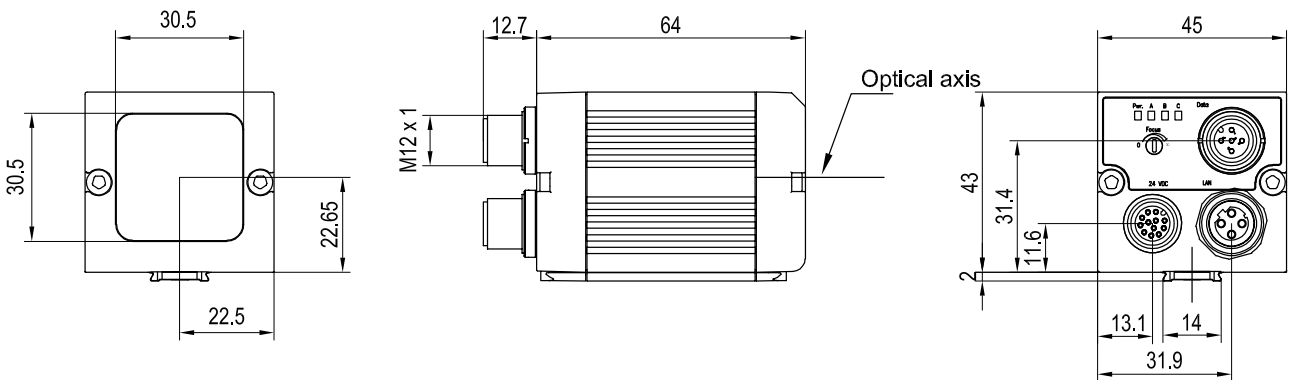
- Can be used for all common 2D codes (ECC 200 data matrix) and common 1D bar codes
- Combination of two functions in one device: code reading and object detection
- Reliable detection of even poorly readable codes under difficult ambient conditions
- Comprehensive tools for flexible and easy connection to PC and PLC environments
- Reading of several similar or differing types of codes in one reading pass

Optical data		Functions	
Resolution	736 × 480 pixels	Number of jobs / detectors	max. 255 / max. 255
CMOS	1/3", monochrome	Detectors	Pattern comparison, contrast, brightness, grey level, bar code, data code
Integrated lens, focal length	25 mm, adjustable focal position	Properties	X/Y position tracking; pattern comparison: teach-in and pattern detection; grey level, brightness: evaluation of brightness; contrast: evaluation of contrast; bar code: reading of 1D bar codes, EAN, UPC, RSS, 2/5 Interleaved, 2/5 Industrial, Code 32, Code 39, Code 93, Code 128, GS1, Pharmacode, Codabar; data code: reading of 2D codes: ECC200, QR code, PDF 417, ECC200 GS1
Adjustment range	140 mm to infinity	Typical cycle times	Typ. 20 ms pattern comparison; typ. 2 ms brightness; typ. 2 ms contrast; typ. 2 ms grey level; typ. 30 ms bar code; typ. 40 ms data code
Integrated illumination	White, red, infrared LEDs		
Minimum field of view, X × Y	18 × 14 mm <sup>2</sup>		
Electrical data		Mechanical data	
Operating voltage, +U <sub>b</sub>	18 ... 26.4 V DC <sup>1</sup>	Dimensions	65 × 45 × 45 mm (without plug)
Current consumption (without illumination and I/O)	≤ 120 mA	Enclosure rating	IP 67
Current consumption (without I/O)	≤ 200 mA	Material, housing	Aluminium, plastic
Protective circuits	Reverse-polarity protection, U <sub>b</sub> / short-circuit protection of all outputs	Material, front screen	Plastic
Power On Delay	Ca. 13 s after Power on	Ambient temperature: operation	0 ... +50 °C <sup>2</sup>
Outputs	PNP / NPN (switchable)	Ambient temperature: storage	-20 ... +60 °C <sup>2</sup>
Max. output current (per output)	50 mA, 100 mA (pin 12)	Weight	Ca. 160 g
Inputs	PNP/NPN High > U <sub>b</sub> -1 V, Low < 3 V	Plug connections	Supply and I/O M12, 12-pin Ethernet M12, 4-pin Data M12, 5-pin
Input resistance	> 20 kOhm	Vibration and impact resistance	EN 60947-5-2
Encoder input	High > 4 V		
Interfaces	Ethernet (LAN), RS422, RS232, EtherNet/IP, PROFINET, SensoWeb		
Inputs/outputs	2 inputs, 4 outputs, 4 selectable inputs/outputs		

<sup>1</sup> Max. ripple < 5 V<sub>SS</sub>    <sup>2</sup> 80 % air humidity, non-condensing

Illumination	Depth of field	Part number	Article number
White	Normal	V10-CR-A2-W25	535-91084
Red	Normal	V10-CR-A2-R25	535-91085
Infrared	Normal	V10-CR-A2-I25	535-91086

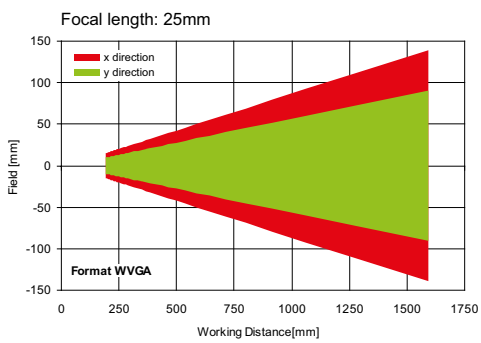
VISOR® vision sensor



153-00911

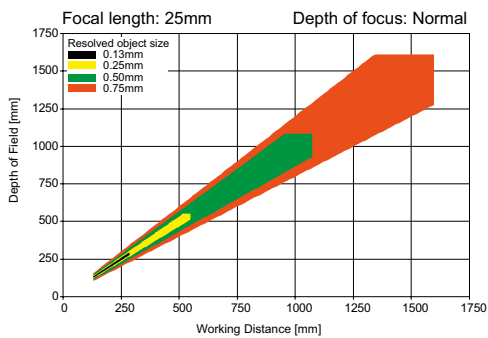
5

Field of view



155-01424

Depth of field: normal



155-01412

Accessories

Connection cables	From Page A-38
Illumination	From Page A-30
Brackets	From Page A-14
Interface accessories	From Page A-42