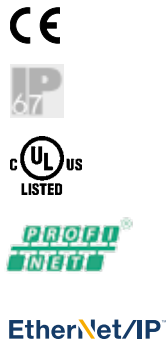


VISOR® V10 Color

Advanced vision sensor for object detection, colour, 25 mm



PRODUCT HIGHLIGHTS

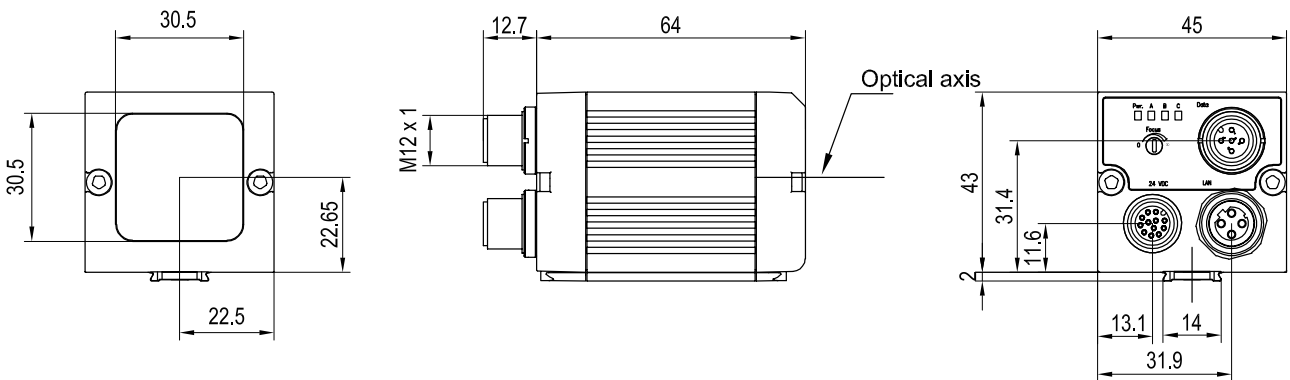
- Object detection in colour
- Reliable detection of very slight colour nuances or self-illuminating components
- Powerful part finding and tracking
- User-friendly configuration and viewer software with hierarchical user rights
- Real-world engineering units and robot coordinates at a mouse click
- Encoder input

Optical data		Functions	
Resolution	736 x 480 pixels	Number of jobs / detectors	max. 255 / max. 255
CMOS	1/3", colour	Detectors	Contour, pattern comparison, calliper, BLOB, contrast, brightness, grey level, colour value, colour area, colour list
Integrated lens, focal length	25 mm, adjustable focal position	Properties	Position tracking: X/Y and orientation; pattern comparison / contour: teach-in and detection of patterns and contours; calliper: distance between edges; BLOB; grey threshold, brightness: evaluation of brightness; contrast: evaluation of contrast; colour area: two-dimensional colour inspection with adjustable tolerance; colour list: finding the most similar colours
Adjustment range	140 mm to infinity	Typical cycle times	Typ. 20 ms pattern comparison; typ. 30 ms contour; Typ. 8 ms calliper; typ. 30 ms BLOB; typ. 2 ms brightness; typ. 2 ms contrast; typ. 2 ms grey threshold; typ. 2 ms colour value; typ. 30 ms colour area; typ. 2 ms colour list
Integrated illumination	White LEDs		
Minimum field of view, X x Y	18 x 14 mm ²		
Electrical data		Mechanical data	
Operating voltage, +U _B	18 ... 26.4V DC ¹	Dimensions	65 x 45 x 45 mm (without plug)
Current consumption (without illumination and I/O)	≤ 120 mA	Enclosure rating	IP 67
Current consumption (without I/O)	≤ 200 mA	Material, housing	Aluminium, plastic
Protective circuits	Reverse-polarity protection, U _B / short-circuit protection of all outputs	Material, front screen	Plastic
Power On Delay	Approx. 13 s after Power on	Ambient temperature: operation	0 ... +50 °C ²
Outputs	PNP / NPN (switchable)	Ambient temperature: storage	-20 ... +60 °C ²
Max. output current (per output)	50 mA, 100 mA (pin 12)	Weight	Approx. 160 g
Inputs	PNP/NPN High > U _B -1V, Low < 3V	Plug connections	Supply and I/O M12, 12-pin Ethernet M12, 4-pin Data M12, 5-pin
Input resistance	> 20 kOhm	Vibration and impact resistance	EN 60947-5-2
Encoder input	High > 4V		
Interfaces	Ethernet (LAN), RS422, RS232, EtherNet/IP, PROFINET, SensoWeb		
Inputs/outputs	2 inputs, 4 outputs, 4 selectable inputs/outputs		

¹ Max. ripple < 5V_{SS} ² 80 % air humidity, non-condensing

Illumination	Depth of field	Part number	Article number
White	Normal	V10C-CO-A2-W25	535-91075

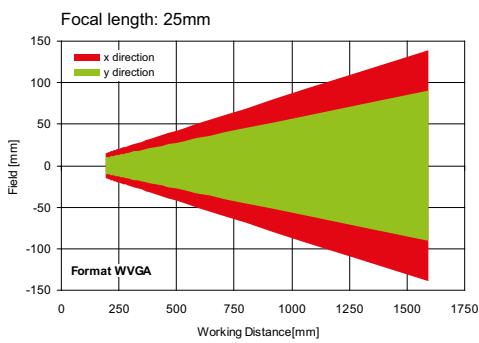
VISOR® vision sensor



153-00911

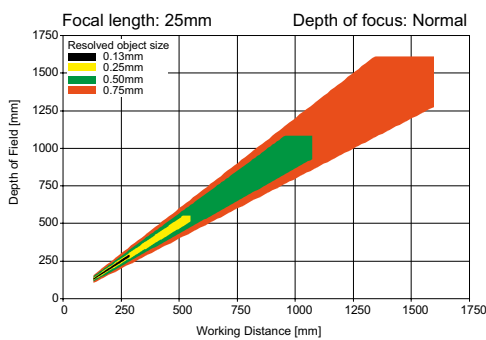
4

Field of view



155-01424

Depth of field: normal



155-01412

Accessories

Connection cables	From Page A-38
Illumination	From Page A-30
Brackets	From Page A-14
Interface accessories	From Page A-42