

VISOR® V10 Code Reader

Standard vision sensor for code reading, 6 mm



EtherNet/IP™

PRODUCT HIGHLIGHTS

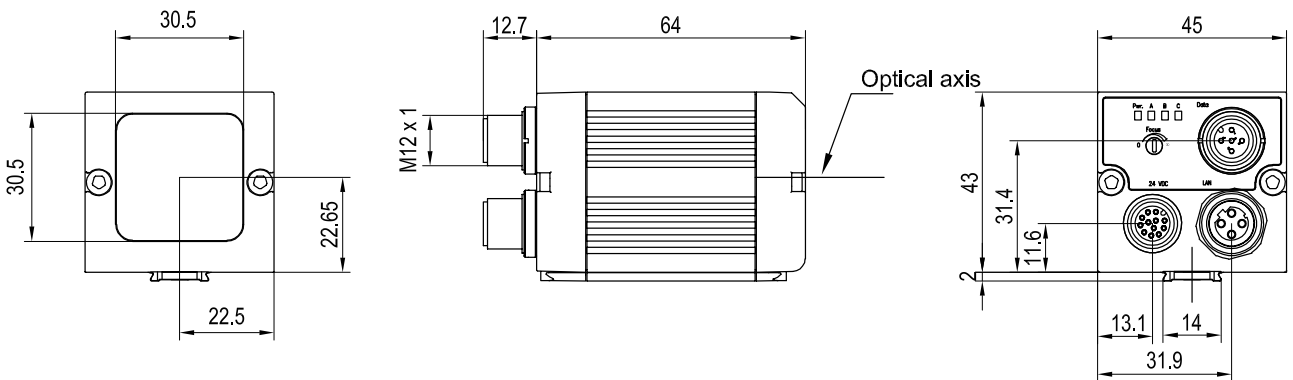
- Can be used for all common 2D codes (ECC 200 data matrix) and common 1D bar codes
- Reliable detection of even poorly readable codes under difficult ambient conditions
- Comprehensive tools for flexible and easy connection to PC and PLC environments

Optical data		Functions	
Resolution	736 x 480 pixels	Number of jobs / detectors	8 / 2
CMOS	1/3", monochrome	Detectors	Bar code / data code
Integrated lens, focal length	6 mm, adjustable focal position	Properties	UPC, RSS, 2/5 Interleaved, 2/5 Industrial, Code 32, Code 39, Code 93, Code 128, GS1, Pharmacode, Codabar; data code: reading of 2D codes, ECC200, QR code, PDF 417, ECC200 GS1
Adjustment range	6 mm to infinity	Typical cycle time	Typ. 30 ms bar code Typ. 40 ms data code
Integrated illumination	White, red, infrared LEDs		
Minimum field of view, X x Y	5 x 4 mm ²		
Electrical data		Mechanical data	
Operating voltage, +U _B	18 ... 26.4V DC ¹	Dimensions	65 x 45 x 45 mm (without plug)
Current consumption (without illumination and I/O)	≤ 120 mA	Enclosure rating	IP 67
Current consumption (without I/O)	≤ 200 mA	Material, housing	Aluminium, plastic
Protective circuits	Reverse-polarity protection, U _B / short-circuit protection of all outputs	Material, front screen	Plastic
Power On Delay	Ca. 13 s after Power on	Ambient temperature: operation	0 ... +50 °C ²
Outputs	PNP / NPN (switchable)	Ambient temperature: storage	-20 ... +60 °C ²
Max. output current (per output)	50 mA, 100 mA (pin 12)	Weight	Ca. 160 g
Inputs	PNP/NPN High > U _B -1V, Low < 3V	Plug connection	Power and I/O M12, 12pin Ethernet M12, 4pin Data M12, 5-pin
Input resistance	> 20 kOhm	Vibration and impact resistance	EN 60947-5-2
Interfaces	Ethernet (LAN), RS422, RS232, EtherNet/IP, PROFINET, SensoWeb		
Inputs/outputs	2 inputs, 4 outputs, 2 selectable inputs/outputs		

¹ Max. ripple < 5V_{SS} ² 80 % air humidity, non-condensing

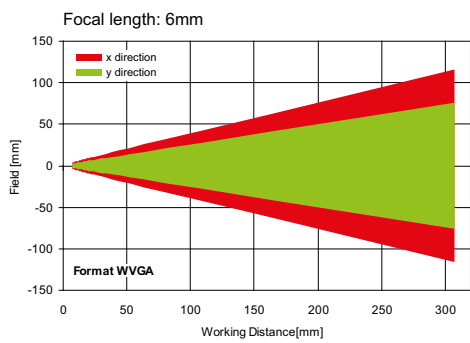
Illumination	Depth of field	Part number	Article number
White	Normal	V10-CR-S1-W6	535-91034
White	Enhanced	V10-CR-S1-W6D	535-91036
Red	Normal	V10-CR-S1-R6	535-91038
Red	Enhanced	V10-CR-S1-R6D	535-91040
Infrared	Normal	V10-CR-S1-I6	535-91042
Infrared	Enhanced	V10-CR-S1-I6D	535-91044

VISOR® vision sensor



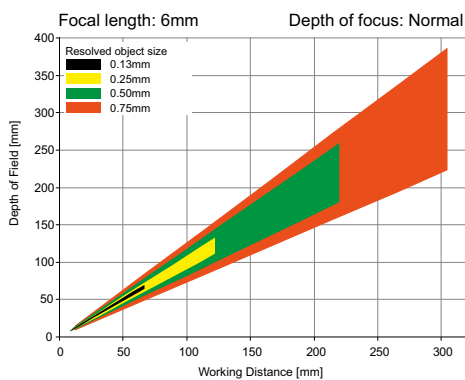
153-00911

Field of view



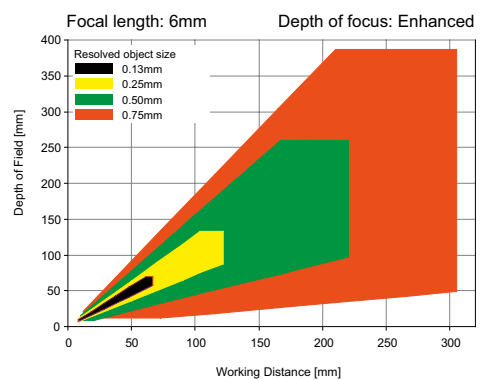
155-01422

Depth of field: normal



155-01409

Depth of field: enhanced



155-01421

Accessories

Connection cables	From Page A-38
Illumination	From Page A-30
Brackets	From Page A-14
Interface accessories	From Page A-42